



Scan for full manual

## KRT-4 Quick Start Guide

This guide helps you install and use your KRT-4 for the first time.

Go to [www.kramerav.com/downloads/KRT-4](http://www.kramerav.com/downloads/KRT-4) to download the latest user manual and check if firmware upgrades are available.

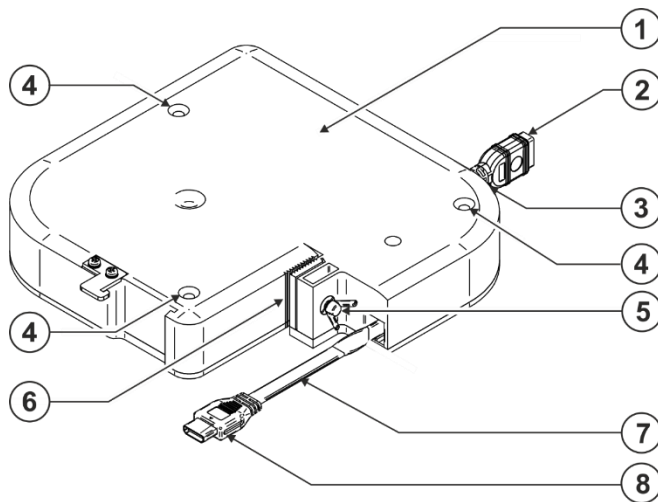
### Step 1: Check what's in the box

✓ KRT-4 Cable Retractor

✓ 4 M3x8 screws

✓ WCP (KRT) insert kit

### Step 2: Get to know your KRT-4



KRT-4 is available for the following cables: HDMI™, VGA, audio (3.5mm), LAN, USB-3.0, MDP/H (up to 4K30Hz), 3H2 (HDMI extender) and DisplayPort. Refer to [www.kramerav.com/product/KRT-4](http://www.kramerav.com/product/KRT-4) for the updated configuration list.

#	Feature	Function
1	Retractor Enclosure	Contains the retractable cable mechanism.
2	Fixed Cable Female Connector	Connect to a male connector under the table.
3	Fixed Cable End	Short connector cable.
4	Screw Openings for Mounting Under the Table (3)	Use to attach the KRT-4 directly under a table.
5	Wing-Head Thumb Screw	Use to turn and lock KRT-4 to the TBUS enclosure.
6	TBUS Installation Slot	Insert TBUS enclosure side into the slot to attach KRT-4 to a TBUS.
7	Retracting Cable	Pull to connect to a connector above the table.
8	Retracting Cable Male Connector	Connect to a female connector.

The terms HDMI, HDMI High-Definition Multimedia Interface, and the HDMI Logo are trademarks or registered trademarks of HDMI Licensing Administrator, Inc.

### Step 3: Install KRT-4

Use this procedure to mount KRT-4 onto the following Kramer TBUS units: TBUS-1AXL, TBUS-3xl, TBUS-4xl, TBUS-5xl, TBUS-6xl and TBUS-10XL and so on.

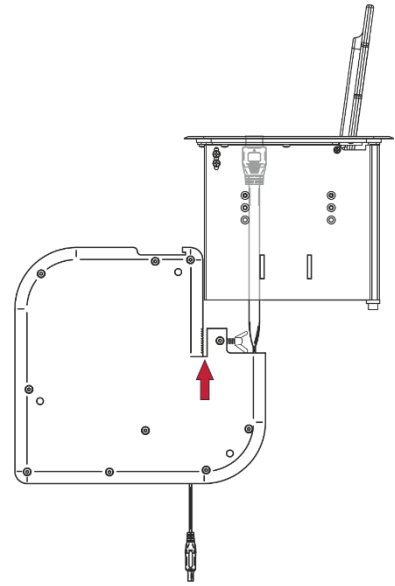
- Before mounting the KRT-4 onto a TBUS, you need to configure and install the TBUS inner frame (including inserts and power sockets) and mount the TBUS onto a table.
- Remember to prepare an opening in the TBUS inner frame for the retracting cable connector (for example, use the Kramer WCP pass-through insert).



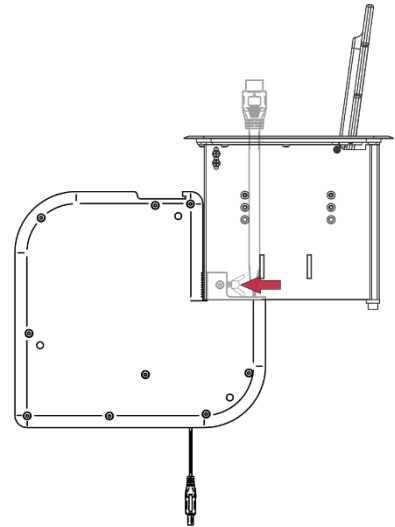
- Ensure that the environment (e.g., maximum ambient temperature & air flow) is compatible for the device.
- Avoid uneven mechanical loading.
- Appropriate consideration of equipment nameplate ratings should be used for avoiding overloading of the circuits.
- Reliable earthing of rack-mounted equipment should be maintained.

**To attach KRT-4 to a TBUS:**

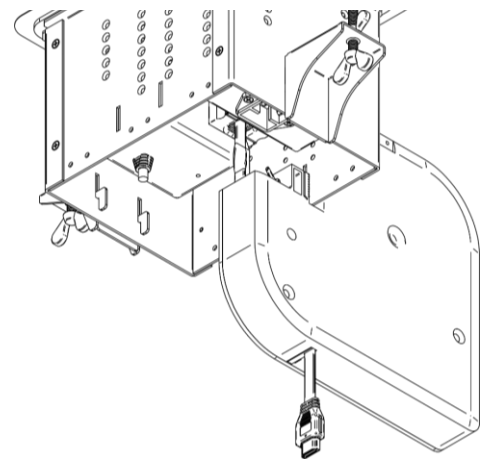
1. From under the table, slide the **KRT-4** onto one of the side walls of the **TBUS**.  
Make sure that the fixed cable is directed downwards and the retracting cable is directed upwards.



2. Use the wing-head thumb screw to fix the **KRT-4** firmly in place and pass the retracting cable end through the cable pass-through bushing.



The **KRT-4** is now firmly fixed in place.



**Attaching KRT-4 (as a Standalone) to the Underside of a Table**



The thickness of the table should be at least 18mm so as not to damage the table. Kramer Electronics is not responsible for any damage caused to the table.

**To attach KRT-4 to the underside of a table:**

1. Place the **KRT-4** under the table in the desired location.  
Make sure that the retracting cable faces the edge of the table.
2. Pass the 3 M4x50 screws through the table screw openings and tighten them to fix the retractor under the table.

