

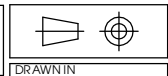
Mitek Corporation

Research & Development
1601 Jack McKay Boulevard
Ennis, TX. 75119
Phone: (972)875-8413 Fax: (972)875-8416

THIS DRAWING AND DATA EMBODY PROPRIETARY DESIGNS AND INFORMATION WHICH IS THE CONFIDENTIAL PROPERTY OF MITEK CORPORATION. NONE OF WHICH SHALL BE COPIED, REPRODUCED, DISCLOSED TO OTHERS, PROPOSED OR USED IN WHOLE OR IN PART, FOR ANY PURPOSE WITHOUT EXPRESS WRITTEN PERMISSION OF A DULY AUTHORIZED AGENT OF MITEK CORPORATION. THIS DRAWING IS SUBJECT TO RECALL BY MITEK CORPORATION AT ANY TIME. IT IS BEING SUBMITTED IN CONFIDENCE AND PATENT RIGHTS ARE RESERVED BY MITEK CORPORATION.

MITEK PART # / DRAWING #
GD87

MAT'L
N/A



REV	ECO#	DESCRIPTION	BY	DATE	APRV.
A	E3706	CREATED DWG.	BEM	3/25/02	BM

TITLE
SPK 8 IN COAX T 7/8W

DRAWN IN
SOLIDWORKS

SHEET #
1 of 1

DRAWN BY
J.V. COLE

SCALE
SCALE : 1:2

FINISH
N/A

TOLERANCES
UNITS INCH
X.XX ±.03
X.XXX ±.015

DATE DRAWN
3/25/02

CHK'D BY
M. HOWELL

ENG. APPROVAL
B. MARLIN

ANGULAR
±1°

ENG. DATE APPROVED
3/25/02

Q.C. APPROVAL
J. ALMAND

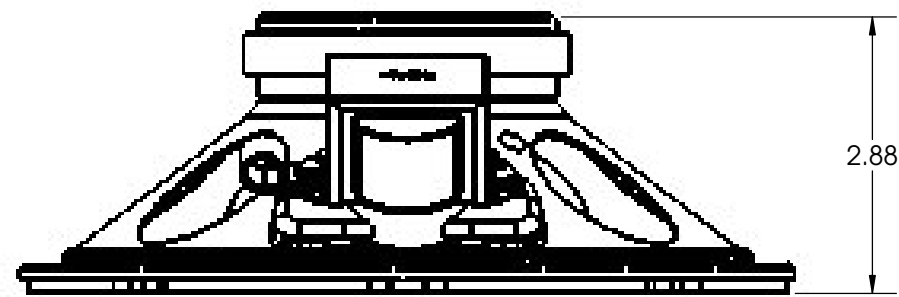
MFG. APPROVAL
N/A

FRACTIONAL
±1/64

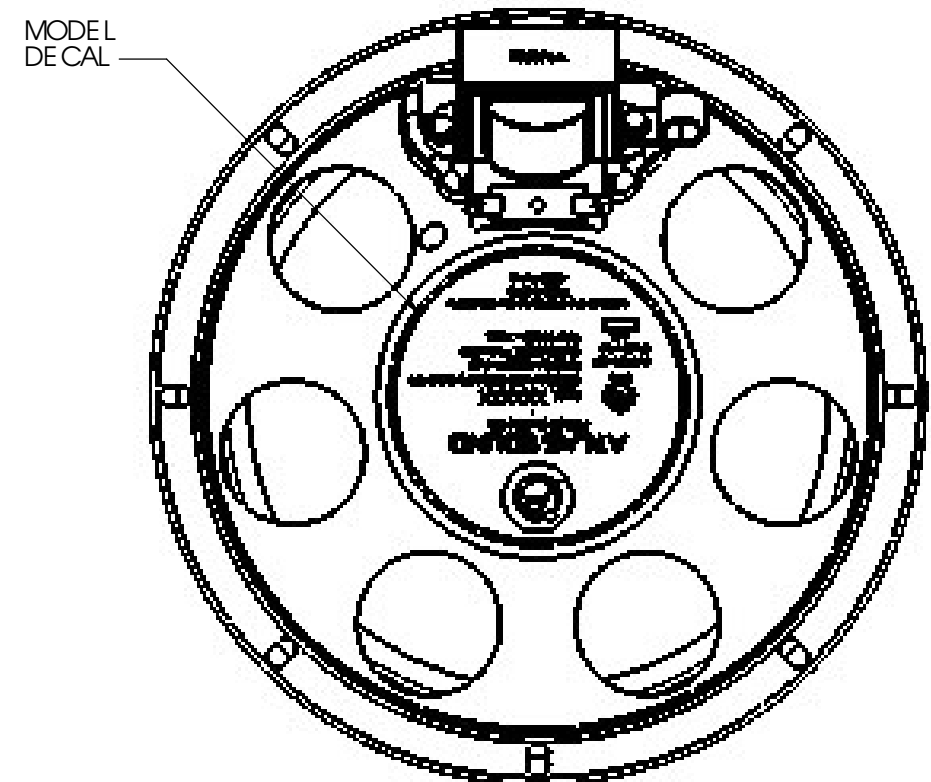
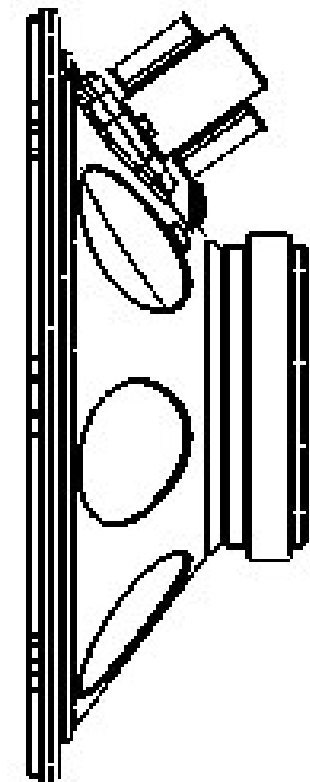
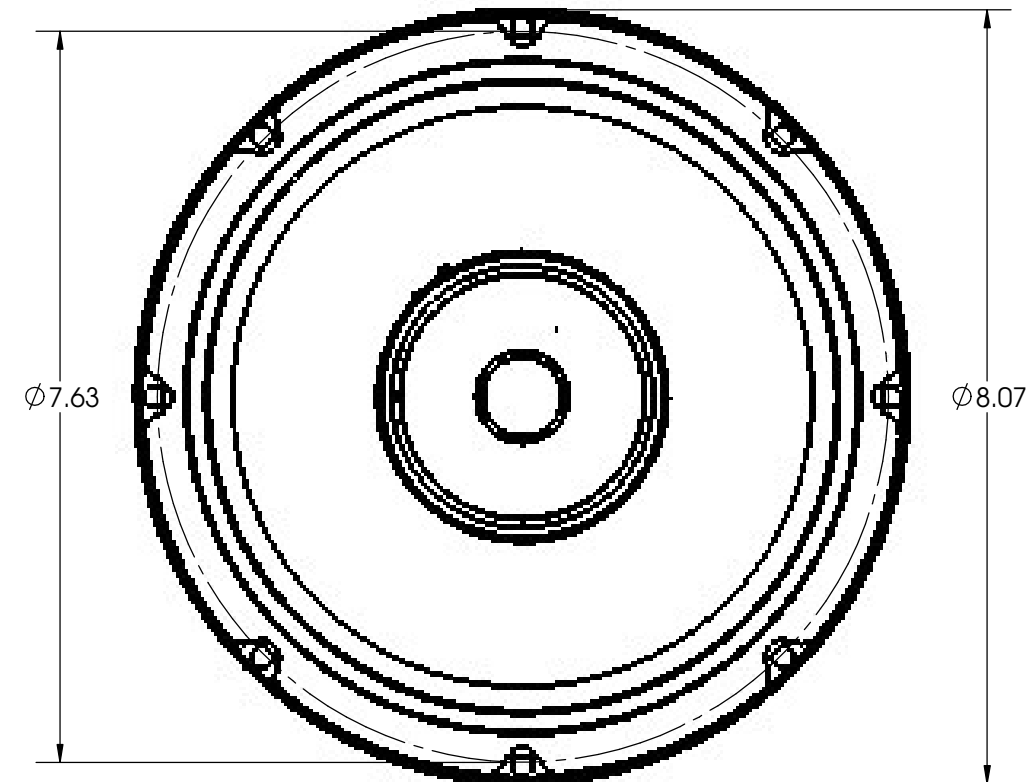
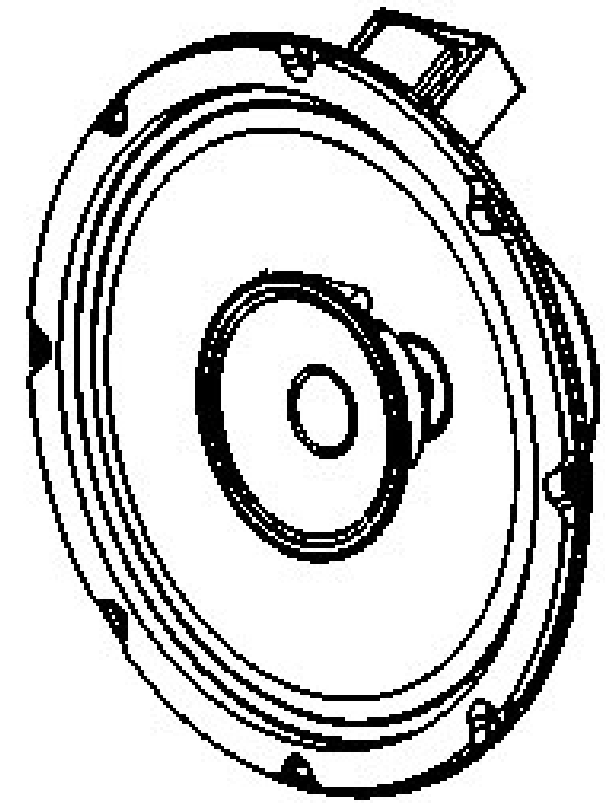
ASME Y14.5M-1994

SIZE **B** REV **A** LAST USED: ① RETIRED: None

CAD FILE NAME: GD87



- NOTES:
1. INSPECT ATTRIBUTES WITH SAMPLE.
 2. TEF TEST SPEAKER.
 3. TRANSFORMER WIRES TO BE ROUTED THRU CORD CLAMP.



500-0799-111 REV -