

# FAP40T Installation Instructions

ATS001529 RevB 6/11

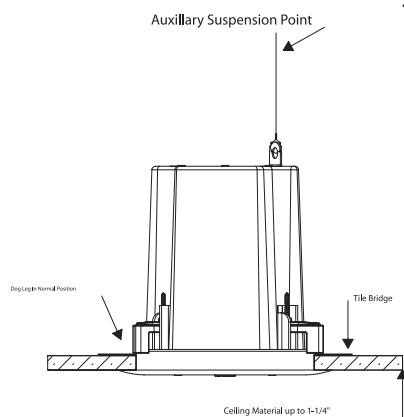
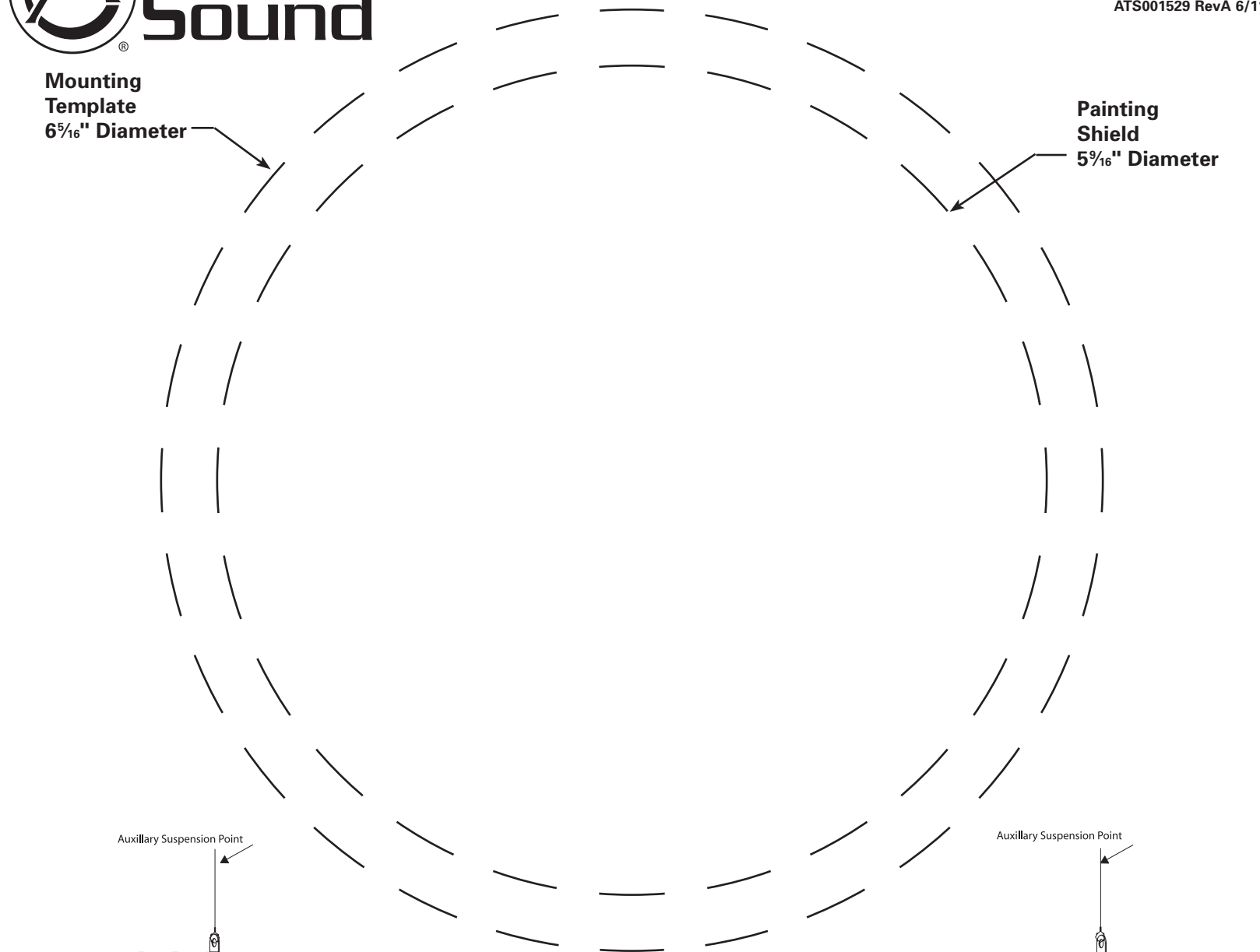


Mounting  
Template  
6<sup>5</sup>/<sub>16</sub>" Diameter

**FAP40T**  
Mounting Template/Paint Shield

ATS001529 RevA 6/11

Painting  
Shield  
5<sup>9</sup>/<sub>16</sub>" Diameter



**NOTE:**

Dog legs will accommodate ceiling material thickness up to 1<sup>1</sup>/<sub>4</sub>" as shipped from the factory. For thicker ceiling materials (up to 2") simply un-screw and flip the doglegs as shown. **DO NOT OVER TIGHTEN DOG LEGS IN EITHER CONFIGURATION!!**

Dog Leg In Inverted Position

