



This Amplifier is a compact, high performance, Class-D amplifier which features both digital and analog inputs. Volume and input selection can be controlled via front panel buttons or RS-232. LED indicators provide selection and feature information. This unit is designed for both the commercial and residential user who needs to output a high quality source to local analog speakers.

PANELS

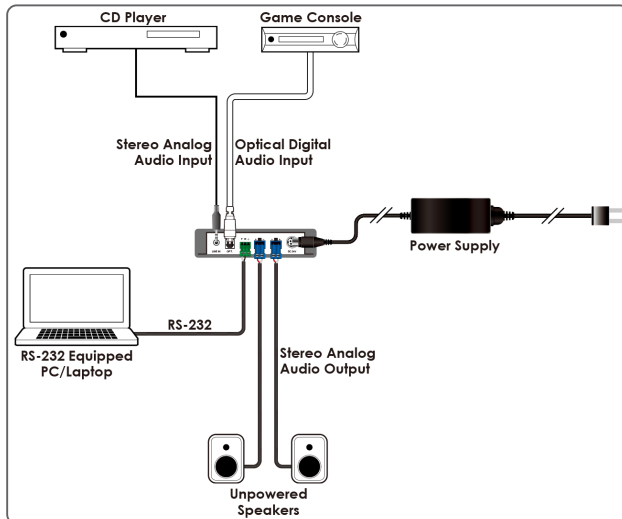


Front View



Rear View

DIAGRAM



FEATURES

- Compact and cost-effective amplifier design
- High performance and efficient Class-D amplifier
- Selectable analog and digital audio inputs
- Volume control with mute
- Simple control via front panel buttons and RS-232

SPECIFICATIONS

Interfaces

Input Ports	1 S/PDIF 1 Analog Stereo (3.5mm)
Output Port	1 Balanced Analog Stereo (2 2-pin Terminal Block)

Audio

S/PDIF	LPCM 2 Channels
Line Level	Frequency Response: $\pm 0.5\text{dB}$ (20Hz to 20kHz) THD: <math>< 0.005\%</math> (20Hz to 20kHz) S/N Ratio: > 95dB (1kHz with 0dBFS) Crosstalk: <math>< -80\text{dB}</math> (10kHz, $V_{in}=0\text{dBFS}</math>)$

Speaker Level	Output Power: 20W (Condition) THD: <math>< 0.02\%</math> (1kHz at Full Power) S/N Ratio: > 95dB (1kHz at Full Load)
----------------------	---

Power

Power Supply	24V/2.7A DC
Power Consumption	42W

Enclosure

Chassis Material	Metal (Steel)
Chassis Color	Black
Dimensions (W×H×D)	128mm×25mm×108mm [Case Only] 128mm×25mm×110mm [All Inclusive]
Weight	380g

Field Firmware Update

RS-232

ORDERING INFORMATION

Model No.	Product Description
DCT-42	Digital/Analog Stereo Amplifier