



This HDMI to USB video capture recorder with HDMI bypass can support resolutions up to 18Gbps (600MHz) 4K UHD with HDR (via the bypass path) while simultaneously streaming the audio and video signal at 1080p to a USB connected PC for capture or re-broadcast. HDMI sources up to 1080p60 are supported for capture without modification, while 4K sources will be automatically scaled down to 1080p. The use of a special video timing stabilization feature helps to ensure that the USB capture stream won't lock up or drop, even if the HDMI input source is intermittent or becomes disconnected. Digital stereo audio from either HDMI (LPCM 2.0) or the 3.5mm analog audio input will be captured with the HDMI video source and is selectable within the configuration software.

USB capture is accomplished using the UAC (USB Audio Class) and UVC (USB Video Class) standards, allowing the unit to support most common video capture, chat, or streaming software, including support for the Free OBS (Open Broadcaster Software) streaming software which is available for Windows PC, macOS and Linux. The unit is powered directly by the USB 3.0 port so an external power supply is not required (A Y-cable is required when connected via USB 2.0 in order to deliver the necessary power). Availability and access to the controllable features of the unit depend on the capture software used.

PANELS

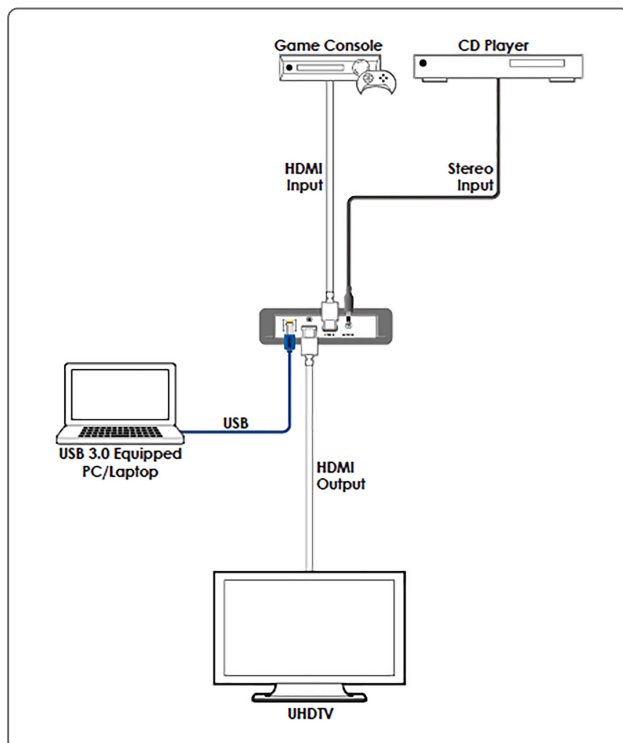


Front View



Rear View

DIAGRAM



FEATURES

- HDMI input and output with HDR & 3D
- Supports Deep Color input and output up to 12-bit
- Automatically scales 4K sources to 1080p for USB capture
- Unit may be powered directly via USB 3.0 (When using USB 2.0, a Y-cable is required to provide additional power)
- Supports video timing stabilization to help ensure a reliable and stable USB capture stream
- Capturing over USB 3.0 allows uncompressed video and audio data capture (up to 1080p, LPCM 2.0)
- Capturing over USB 2.0 requires the application of minimal MJPEG compression to the video and audio data (up to 1080p, LPCM 2.0)
- Supports capturing 2 channel digital audio from either HDMI (LPCM 2.0) or the 3.5mm analog audio input (selectable via configuration software)
- Compliance with the UAC (USB Audio Class) and UVC (USB Video Class) standards, allows the unit to support most common capture and video streaming software
Note: Availability and access to the controllable features of the unit depend on the capture software used.
- Support for the Free OBS (Open Broadcaster Software) streaming software which is available for Windows PC, macOS and Linux

SPECIFICATIONS

Interfaces

Input Port	1×HDMI 1×Stereo (3.5mm)
Output Port	1×HDMI 1×USB 3.0 (Type-B)

Video

HDMI Compliance	HDMI 2.0 (DVI 1.0)
HDCP Compliance	2.2 bypass
Input Signal Type	4K@60 8bit YUV 4:4:4, HDR 12
Output Signal Type	4K@60 8bit YUV 4:4:4, HDR 12

Resolutions

Maximum Input	HDMI	4096×2160p@60
Maximum Output	HDMI	4096×2160p@60

Note : According to the regulation of HDCP association, the HDCP content cannot be streaming out

Power

Power Supply	Powered by USB
Power Consumption	7.15W

Enclosure

Chassis Material	Metal (Steel)
Chassis Color	Black
Dimensions (W×H×D)	128mm×25mm×108mm [Case Only] 128mm×25mm×117mm [All Inclusive]
Weight	364g

Field Firmware Update

USB

ORDERING INFORMATION

Model No.	Product Description
CUSB-V604H	UHD+ USB Capture