

CSR-8PSU-5V

8-Port 5V DC Power Manager



This 8-Port Managed 5V DC Power Supply is a DC power splitter which can distribute up to 3 amps of 5 volt power to up to eight connected devices via 2-pin terminal block connections (120 watts total across all 8 outputs). Ideal for professional applications, this unit provides direct per-port power control via WebGUI, Telnet or RS-232. An integrated, battery backed-up, clock allows for detailed power scheduling based on a repeating daily/weekly schedule, or single events. Up to 2 fans may be connected and their speed can be either automatically controlled based on a detected temperature, or set to a single static speed. Detailed status information about the power input, each power output, current fan speed, and system temperature is provided to give a comprehensive system overview.

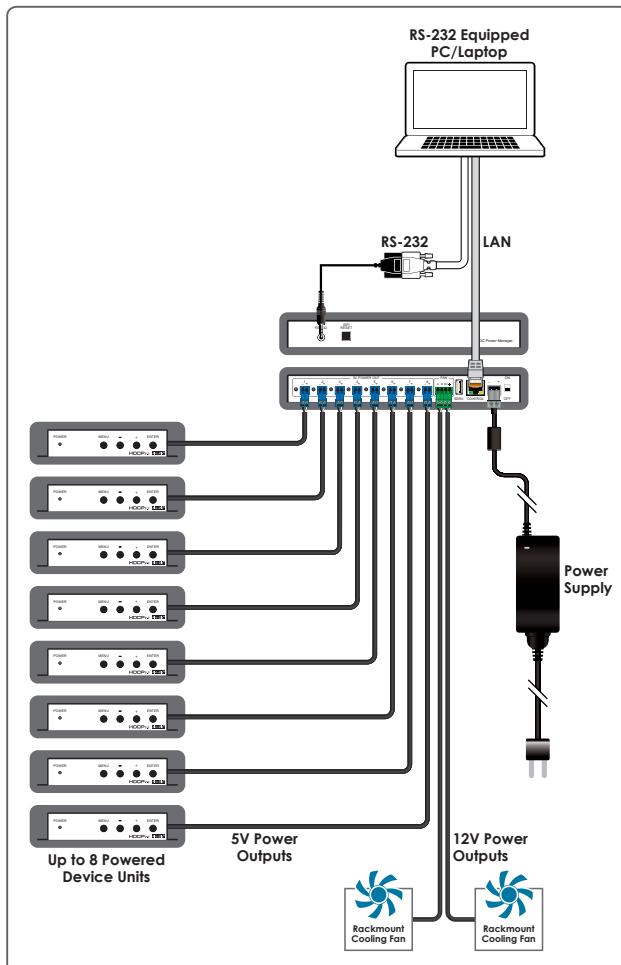
PANELS



Front View

Rear View

DIAGRAM



FEATURES

- Power management system providing voltage-controlled current (5V) on each output
- Battery backed up clock for scheduling power events
- Integrated WebGUI for control and power analysis
- Unit's overall maximum power consumption is only 140 watts
- Supports 8 power output ports with professional 2-pin 3.5mm terminal block connectors

SPECIFICATIONS

Interfaces	
Output Port	8× 5V DC (2-pin Terminal Block) 2× Fan Out (4-pin Terminal Block)
Control I/O	1× RS232(3.5mm) 1× IP Control (RJ45)
Power	
Power Supply	12V/12.5A DC (US/EU standards, CE/FCC/UL certified)
Power Consumption	150W
Enclosure	
Chassis Material	Aluminum
Chassis Color	Black
Dimensions (W×H×D)	211.5mm×24mm×108mm (W×H×D) [Case Only] 211.5mm×25mm×117.5mm (W×H×D) [All Inclusive]
Weight	372g
Field Firmware Update PC Update, WebGUI	

ORDERING INFORMATION

Model No.	Product Description
CSR-8PSU-5V	8-Port 5V DC Power Manager