

# CSR-8PSU-12V

## 8-Port 12V DC Power Manager



This 8-Port 12V DC Power Manager is a DC power splitter which can distribute up to 125 milliamps of 12 volt power to up to eight connected devices via 2-pin terminal block connections (115 watts total across all 8 outputs). Ideal for professional applications, this unit provides direct per-port power control via WebGUI, Telnet or RS-232. An integrated, battery backed-up, clock allows for detailed power scheduling based on a repeating daily/weekly schedule, or single events. Up to 2 fans may be connected and their speed can be either automatically controlled based on a detected temperature, or set to a single static speed. Detailed status information about the power input, each power output, current fan speed, and system temperature is provided to give a comprehensive system overview.

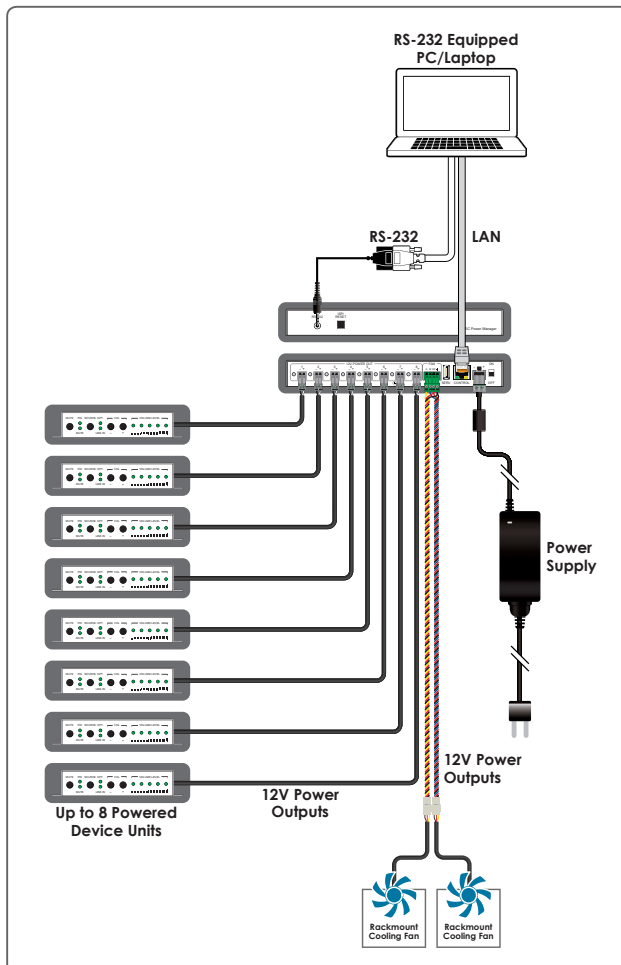
### PANELS



Front View

Rear View

### DIAGRAM



### FEATURES

- Power management system providing voltage-controlled current (12V) on each output
- Battery backed up clock for scheduling power events
- Integrated WebGUI for control and power analysis
- Unit's overall maximum power consumption is only 150 watts
- Supports 8 power output ports with professional 2-pin 3.5mm terminal block connectors
- 115 watts of total power provided across all 8 outputs
- Dynamic loading function balances the power provided to each DC output

### SPECIFICATIONS

#### Interfaces

<b>Output Port</b>	8× 12V DC (2-pin Terminal Block) 2× Fan Out (4-pin Terminal Block)
<b>Control I/O</b>	1× RS232(3.5mm) 1× IP Control (RJ45)

#### Power

<b>Power Supply</b>	12V/12.5A DC (US/EU standards, CE/FCC/UL certified)
<b>Power Consumption</b>	150W

#### Enclosure

<b>Chassis Material</b>	Aluminum
<b>Chassis Color</b>	Black
<b>Dimensions (W×H×D)</b>	211.5mm×24mm×116.5mm (W×H×D) [Case Only] 211.5mm×25mm×117.5mm (W×H×D) [All Inclusive]
<b>Weight</b>	285g

#### Field Firmware Update

PC Update, WebGUI

### ORDERING INFORMATION

<b>Model No.</b>	<b>Product Description</b>
CSR-8PSU-12V	8-Port 12V DC Power Manager