



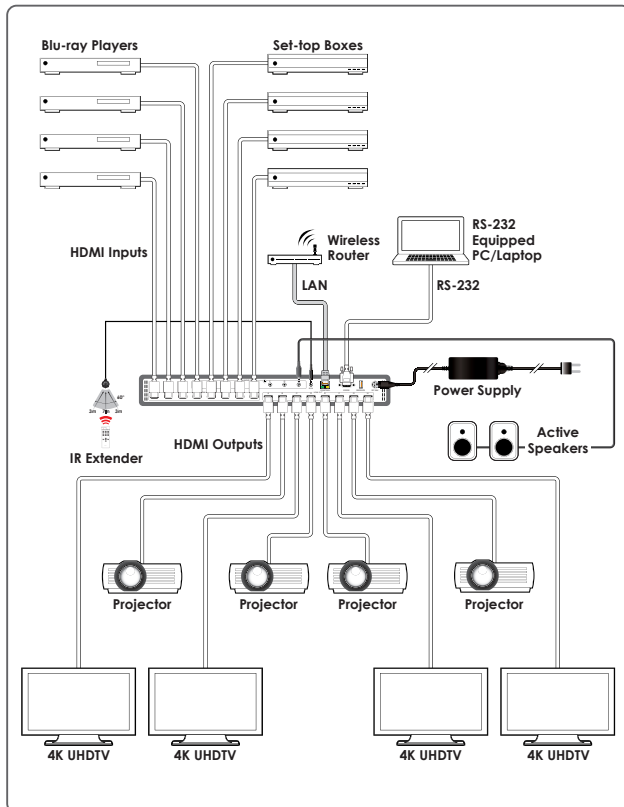
This 8 by 8 Matrix has the ability to connect up to eight 4K UHD HDMI sources to up to eight 4K UHD HDMI displays and freely switch between them. The unit comes with full support for 18Gbps (600MHz) resolutions up to, and including 4K@60Hz (4:4:4, 8-bit) as well as supports for 16-bit Deep Color up to 1080p@60Hz, HDR (High Dynamic Range), HD audio and other features defined by the HDMI 2.0a specification. With a comprehensive EDID management feature that includes the ability to select among built in default EDID, EDID copied from connected sink devices, as well as a configurable EDID, this matrix can solve many interconnectivity problems.

There are eight audio outputs can pair with HDMI output individually. The built-in OSD has the ability to display user editable general information text so each output can display up to 2 lines of customized text on top of the video source in the color of your choice. The unit provides an intuitive set of front panel controls with an LCD as well as RS-232, Telnet, WebGUI, and IR remote control options.

PANELS



DIAGRAM



FEATURES

- Eight HDMI inputs matrixed to eight HDMI outputs with 18Gbps (600MHz) 4K UHD support
- Supports HD resolutions up to 3840x2160@60Hz (4:4:4, 8-bit) & 4096x2160@60Hz (4:4:4, 8-bit)
- Supports 16-bit Deep Color up to 1080p@60Hz
- Supports pass-through of audio formats including LPCM 2.0/5.1/7.1, Bitstream, and HD Bitstream
- Supports six internal EDIDs, eight external EDIDs copied from connected devices, and four user provided EDIDs
- Eight Audio output ports can pair with eight HDMI outputs individually.
- OSD with user customizable information text

SPECIFICATIONS

Interfaces

Input Port	8 HDMI
Output Port	8 HDMI 8 Unbalanced Stereo (3.5mm)
Control Port	1 Control (RJ-45) 1 RS-232 1 IR IN
Service Port	1 USB (Type-A)

Video

HDMI Compliance	HDMI 2.0 (DVI 1.0)
HDCP Compliance	2.2
Input Signal Types	4K@60 8-bit YUV 4:4:4
Output Signal Types	4K@60 8-bit YUV 4:4:4

Resolutions

Maximum Input	HDMI	4096x2160p@60
Maximum Output	HDMI	4096x2160p@60

Audio

Digital Formats	HDMI 8CH LPCM, Bitstream, HD Bitstream
Analog Formats	Unbalanced 2 Channel

Power

Power Supply	24V/6.25A
Power Consumption	70W

Enclosure

Chassis Material	Metal (Steel)
Chassis Color	Black
Dimensions (WxHxD)	438mmx44mmx269mm [Case Only] 438mmx49mmx274mm [All Inclusive]
Weight	3,600 g

Field Firmware Update

USB Flash Drive, WebGUI

ORDERING INFORMATION

Model No.	Product Description
CPLUS-V8H8HPA	UHD+ 8x8 HDMI Matrix with Audio Output