



This 4x2 HDMI to HDBaseT/HDMI Matrix with Stereo Amplifier provides high performance audio and video support, including HDR and ARC, making it ideally suited for multi-zone residential or corporate installations. Any of four high-bandwidth (18Gbps) HDMI sources may be routed to either of the two HDBaseT Zone outputs via a single Cat.5e/6/7 cable (up to 70m at 1080p or up to 35m at 4K) with Zone A's output also being mirrored to a local HDMI output. Despite HDBaseT's 10.2Gbps bandwidth limitation, 4K UHD HDMI video sources, up to and including 4K@60Hz (4:4:4, 8-bit) as well as 10/12-bit sources with HDR, are able to be processed and extended by the use of AVLC (Adaptive Visually Lossless Compression) when connected to compatible AVLC Receivers providing gorgeous video quality.

Pass-through of multiple digital audio formats such as LPCM 7.1, Bitstream and advanced HD Bitstream with audio sampling rates up to 192kHz are supported via the HDBaseT and HDMI outputs. Additionally, the integrated stereo amplifier provides up to 40 watts of power (20W per channel) for local speakers to output the audio from the sources routed to either of the HDBaseT outputs, or from the ARC audio coming back from the display connected to the HDMI output, offering a flexible sound experience (LPCM 2.0 sources only).

This unit also contains a specialised IR learning and smart-routing functionality. IR codes from each connected source's remote can be learned and then recalled using this unit's dedicated remote control, or the mobile device app. Intelligent IR routing ensures that only the IR signals appropriate to the source being viewed in the current zone are used by the dedicated remote control while the mobile device app provides the ability to send IR commands to control any connected source. IR command sets may also be uploaded or downloaded to/from the unit via XML files.

The 48V PoH (Power over HDBaseT) function can provide power to compatible Receivers, providing greater flexibility in installations. This unit can be controlled in a wide variety of different ways including front panel buttons, RS-232, IR remote, Telnet, WebGUI and a mobile device app.

### FEATURES

- HDMI with HDR, 3D & 4K@60Hz support, DVI 1.0 compatible
- Routes four HDMI sources to two HDBaseT outputs with a mirrored HDMI output with support for automatic input switching
- Supports up to 4K UHD (18Gbps, 4K@50/60Hz 4:4:4, 8-bit) video input and output  
*Note: Support of resolutions with bandwidth above 10.2Gbps via HDBaseT requires a compatible AVLC Receiver.*
- Supports 'Deep Colour' input and output up to 12-bit
- Supports 10-bit and 12-bit HDR (High Dynamic Range) input/output
- HDBaseT feature support: HD Video and Audio, 48V PoH and Control (bi-directional IR pass-through)
- Supports standard 48V PoH from the unit to connected HDBaseT Receivers (compatible Receivers only)
- HDBaseT outputs provide simultaneous transmission of uncompressed video, audio and data over a single Cat.5e/6/7 cable up to 70m/230ft at 1080p and 35m/115ft at 4K
- Integrated AVLC (Adaptive Visually Lossless Compression) activates when the bandwidth requirements of the source are beyond 10.2Gbps (340MHz) allowing for support of sources up to 18Gbps (600MHz) with no loss of visual quality
- Per-output, selectable, 4K to 1080p down-scaling/colour space conversion (4:4:4 to 4:2:0)
- Supports pass-through of LPCM 7.1, Bitstream and advanced HD Bitstream audio formats
- Supports the Audio Return Channel (ARC) function to transmit digital audio from an ARC-enabled TV connected to the HDMI output (LPCM 2.0 only)
- Selectable stereo analogue audio breakout mirrored to both amplified (20W per channel) and un-amplified (3.5mm headphone) connections. (LPCM 2.0 only)
- Support for learning IR remote codes for on-demand retransmission
- Advanced EDID management with 8 Internal, 3 external EDIDs copied from connected devices, and 4 custom user provided EDIDs

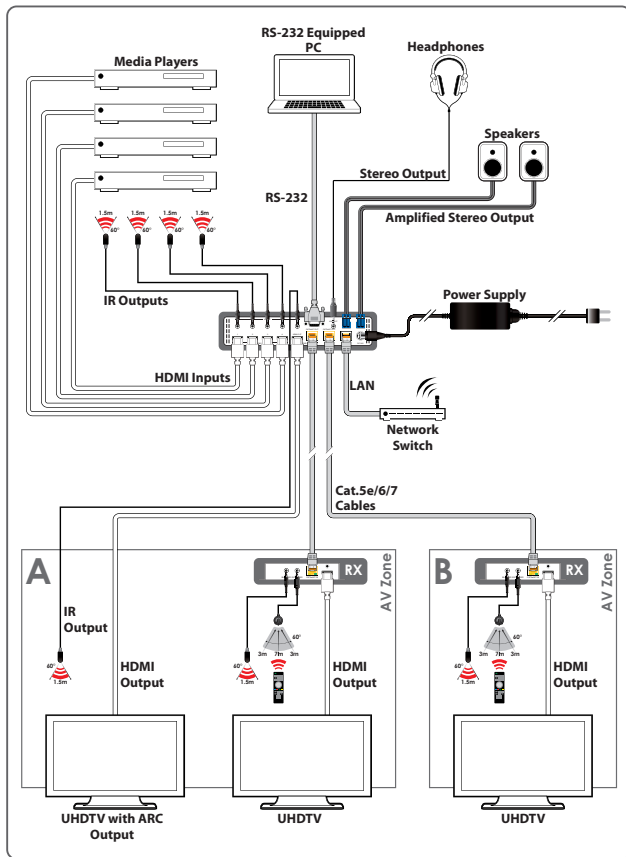
### PANELS



Front View

Rear View

### DIAGRAM



### SPECIFICATIONS

#### Interfaces

<b>Input Port</b>	4×HDMI (Type-A)
<b>Output Port</b>	1×HDMI (Type-A) 2×HDBaseT (RJ-45) 1×Analogue Stereo (2×Terminal Block) 1×Analogue Stereo (3.5mm)
<b>Control I/O</b>	1×RS-232 (DE-9) 1×IP Control (RJ-45)
<b>Bypass Port</b>	5×IR Blaster (3.5mm)
<b>Service Port</b>	1×USB 2.0 (Type-A)

#### Video

<b>HDMI Compliance</b>	2.0 (DVI 1.0)
<b>HDCP Compliance</b>	2.2
<b>Input Signal Type</b>	4K@60 8bit YUV 4:4:4
<b>Output Signal Type</b>	HDMI 4K@60 8bit YUV 4:4:4 HDBaseT 4K@60 8bit YUV 4:2:0
<b>Resolutions</b>	
<b>Maximum Input</b>	HDMI 4096x2160p@60
<b>Maximum Output</b>	HDMI 4096x2160p@60 HDBaseT 4096x2160p@60 YUV 4:2:0

#### Audio

<b>HDMI</b>	LPCM 8 channel Bitstream High-Definition Bitstream
<b>Line Out</b>	Max Audio Level: 2Vrms Impedance: 10kΩ Type: Unbalanced

#### Power

<b>Power Supply</b>	24V/2.7A DC
<b>Power Consumption</b>	46.64W

#### Enclosure

<b>Chassis Material</b>	Metal (Steel)
<b>Chassis Color</b>	Black
<b>Dimensions (W×H×D)</b>	219mm×43mm×156mm (W×H×D) [Case Only] 219mm×54mm×163.5mm (W×H×D) [All Inclusive]
<b>Weight</b>	1,258g

#### Field Firmware Update

PC Update, WebGUI

### ORDERING INFORMATION

<b>Model No.</b>	<b>Product Description</b>
<b>CPLUS-421PLV</b>	UHD+ 4x2 HDMI to HDBaseT / HDMI Matrix AV System
<b>CH-1527RXPLV</b>	UHD+ HDMI over HDBaseT Receiver with HDR