



Nowadays although HDMI is popular, but VGA only projector, monitor and TV are still in use in some field. Same situation, source with DVI is still also in use in some field. This converter box converts digital DVI-D to Analog PC/RGB or HD YPbPr output. It enables the DVI sources to connect with the analog PC monitor, Projector or TV. Its high bandwidth capability supports a wide range of PC and HDTV resolutions.

### PANELS

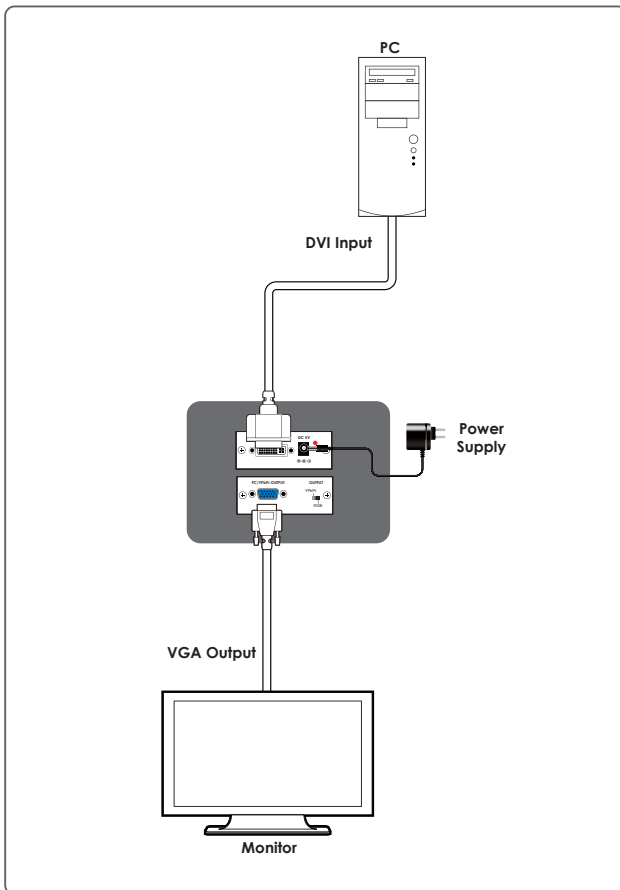


Front Panel



Rear Panel

### DIAGRAM



### FEATURES

- Supports DVI-D input and Analog PC/RGB or HD YPbPr output
- Supports output selection between YPbPr and RGB
- Supports PC and HDTV resolutions
- Built-in EDID

### SPECIFICATIONS

#### Interfaces

**Input Ports** 1 DVI (only DVI-D supported)

**Output Port** 1 VGA (HD-15)

#### Video

**Input Signal Types** DVI 1920x1080p@60Hz

**Output Signal Types** VGA 1920x1080p@60Hz

#### Resolutions

**Maximum Input** DVI 1920x1080p@60

**Maximum Output** VGA 1920x1080p@60

#### Power

**Power Supply** 5V/1.2A DC (Locking)

**Power Consumption** TBD

#### Enclosure

**Chassis Material** Metal (Aluminum)

**Chassis Color** Silver

**Dimensions (W×H×D)** 94mm×76.5mm×30mm [Case Only]  
94mm×104mm×30mm [All Inclusive]

**Weight** 190g

#### Field Firmware Update

PC

### ORDERING INFORMATION

Model No. Product Description

CP-1262DI DVI to VGA Video Converter