

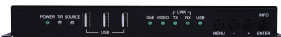


This Transceiver is designed for high-quality, IP routable, AV extension with minimum latency. Every Transceiver can be configured to function as either a Transmitter or a Receiver, enhancing the flexibility of any installation. By using a sophisticated ultra-light compression scheme (lossless for most content) it's a great solution for extending 4K audio/video streams (HDMI or DisplayPort) and data. Advanced HDMI content such as HDR (High Dynamic Range), 10-bit color and multi-channel HD Bitstream audio can be transmitted in pass-through mode. The use of interchangeable, field replaceable, SFP+ modules allows for transmission distances of up to 30km (Maximum transmission distance depends on the SFP+ modules used). Multiple control and data signals may also be transmitted along with the audio and video, including IR, RS-232, USB 2.0, and Ethernet.

When combined with the optional control center or control software, the functionality of the Transceiver expands exponentially. Multiple Transceivers may be combined with one or more 10-Gigabit fiber Ethernet switches and the units can be used together to form a distributed video matrix, a multi-viewer system, or a video wall system adding to their flexibility in large event installations. The integrated USB hub of each Transceiver can be configured to be in USB Host or Device Mode and can function as a simple point to point KVM extension, freely routed between any two endpoints, or it can be configured into a special "Simultaneous" mode, allowing up to 7 Host Mode Transceivers to extend their USB ports to a single Device Mode Transceiver. This type of USB KVM routing flexibility enables a wide range of multi-user, control room, or on-demand installation scenarios.

The built-in EDID and HDCP management functionality enables the unit to fit into every situation. Basic configuration of the unit can be achieved via front panel buttons with an On-Screen Display (OSD). Advanced control requires optional control center, or control software, and a LAN connection.

### PANELS



Front View

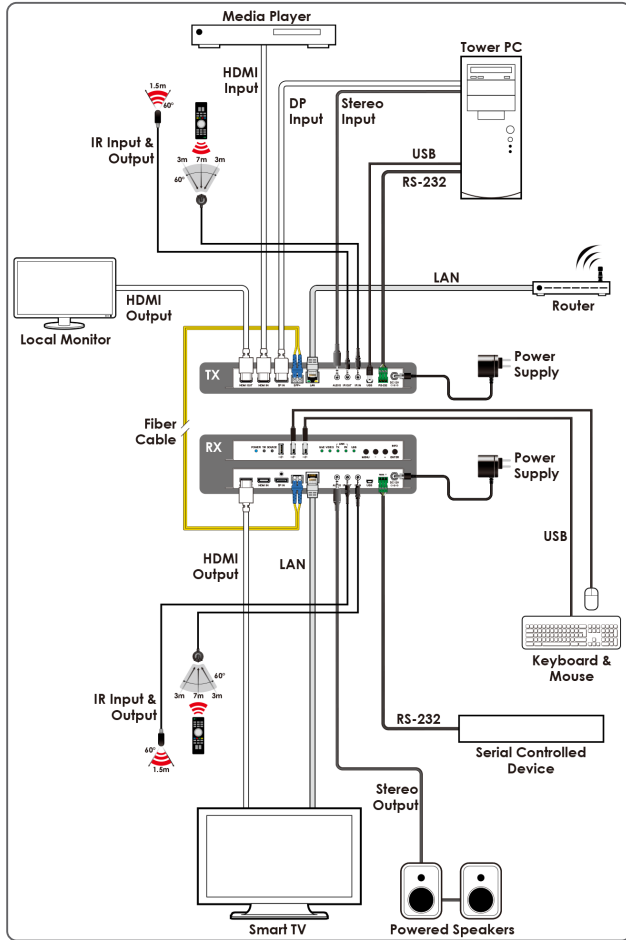


Rear View

### FEATURES

- Can be configured to function as either a Transmitter or a Receiver
- 1 HDMI and 1 DisplayPort input
- 1 HDMI output (Functions as local monitor output in Transmitter mode)
- 1 analog stereo jack (Functions as an input in Transmitter Mode or an output in Receiver Mode)
- 3 USB Type-A ports and 1 USB Mini-B port
- IP switchable with minimum latency (requires optional control center or control software)
- Ultra-light compression, lossless for most content
- Extension up to 30km (maximum distance depends on the SFP+ module and type of fiber used)
- Independent breakaway A/V matrix switching (requires optional control center/software)
- Video wall generation (requires optional control center or control software)
- Multi-view compositing (requires optional control center or control software)
- Supports pass-through of 10/12-bit HDR sources (Point-to-point and Genlock modes only)
- Supports pass-through of audio formats including LPCM (up to 8 channels), Bitstream and HD Bitstream from HDMI sources
- Analog stereo audio extension, insertion and extraction (insertion and extraction requires optional control center or control software)
- Bi-directional IR, RS-232, USB 2.0, and Ethernet extension
- Supports a special Simultaneous Mode for USB extension allowing a host connected to a single Transceiver to connect to up to 7 Transceivers with USB devices connected (mass storage devices are not supported in this mode)
- Signal transmission interfaces with 10-Gigabit Ethernet switches via XFI (IEEE 802.3ae) compatible SFP+ fiber modules
- Basic configuration via front panel buttons with an On-Screen Display (OSD)
- Supports the use of an external control center or control software to provide expanded functionality (Contact your authorized dealer for more information)

### DIAGRAM



### SPECIFICATIONS

#### Interfaces

<b>Input Port</b>	1 HDMI (Type-A) 1 DisplayPort
<b>Output Port</b>	1 HDMI (Type-A)
<b>Bi-directional Port</b>	1 10GbE LAN (SFP+)
<b>Pass-through Port</b>	1 Unbalanced Stereo (3.5mm) 1 IR Extender (3.5mm) 1 IR Blaster (3.5mm) 1 RS-232 (3-pin Terminal Block) 1 Ethernet (RJ-45) 3 USB (Type-A)
<b>Service Port</b>	1 USB (Mini-B)

#### Video

<b>HDMI Compliance</b>	HDMI 2.0 (DVI 1.0)
<b>HDCP Compliance</b>	2.2
<b>Input Signal Types</b>	HDMI 2.0 4K@60, HDR10 DisplayPort 1.4 HBR2
<b>Output Signal Types</b>	HDMI 2.0 4K@60, HDR10

#### Resolutions

<b>Maximum Input</b>	HDMI	4096×2160p@60 2560×1600p@60RB
	DisplayPort	4096×2160p@60 2560×1600p@60RB
	Streaming	4096×2160p@60 2560×1600p@60RB
<b>Maximum Output</b>	HDMI	4096×2160p@60 2560×1600p@60RB
	Streaming	4096×2160p@60 2560×1600p@60RB

#### Audio

<b>Digital Formats</b>	HDMI	8CH LPCM, Bitstream, HD Bitstream
	DisplayPort	8CH LPCM, Bitstream, HD Bitstream
<b>Analog Formats</b>	Unbalanced 2 Channel	
<b>Line Level</b>	Frequency Response: <math>\pm 0.5\text{dB}</math> (20Hz to 20kHz) THD: <math>< 0.02\%</math> (20Hz to 20kHz) S/N Ratio: > 80dB (1kHz with 0dBFS) Crosstalk: <math>< -80\text{dB}</math> (10kHz, $V_{in}=0\text{dBFS}$ )	

#### Power

<b>Power Supply</b>	12V/3A (Locking)
<b>Power Consumption</b>	25W (Full load)

#### Enclosure

<b>Chassis Material</b>	Metal (Steel)
<b>Chassis Color</b>	Black
<b>Dimensions (W×H×D)</b>	231.5mm×25mm×158mm [Case Only] 231.5mm×25mm×166.7mm [All Inclusive]
<b>Weight</b>	916g

#### Field Firmware Update

USB to PC

### ORDERING INFORMATION

<b>Model No.</b>	Product Description
<b>COH-TR7</b>	HDMI/DP over IP Transceiver with USB Extension
<b>GDPS-CS7-S</b>	AV over IP Master Controller