



HDBaseT has a large share in the transmission market of uncompressed images. In consideration of simplified installation, we designed and manufactured CH-POE products, allowing SI to simplify installation complexity and improve the practicality of HDBaseT products. This Power Over Ethernet (PoE) injector is designed to easily deliver power to HDBaseT products through Ethernet cables using standard IEEE 802.3af Power over Ethernet. The CH-POE can send power only in the required direction by the two power switches, it also allows to route powers to up-stream and down-stream and can be operated simultaneously. The power supply is a cost saving equipment and can be conveniently installed anywhere when used with HDBaseT-equipped products.

PANELS

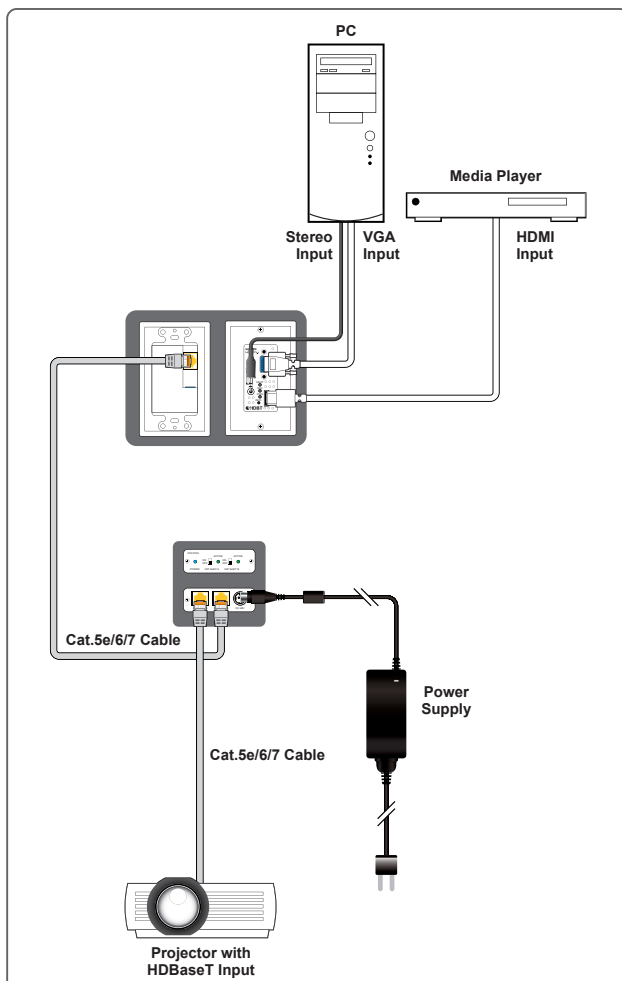


Front View



Rear View

DIAGRAM



FEATURES

- Supports DC 48V to products using IEEE 802.3af Power over Ethernet
- Supports power over Ethernet with a distance of up to 100 meters
- Features power switches to selectively the power direction
- Supports interoperable powered devices (PD) and power sourcing equipment (PSE)
- Supports 10.2 Gbp bandwidth, 4K ultra-high resolutions signals and multi-channel audio formats

SPECIFICATIONS

Interfaces

Input Port 1 CAT5e/6/7 (RJ45)

Output Port 1 CAT5e/6/7 (RJ45)

Video

HDCP Compliance 2.2

Input Signal Type 4K@60 8bit YUV 4:2:0

Output Signal Type 4K@60 8bit YUV 4:2:0

Resolutions

Maximum Input HDBaseT 4096×2160p@60 YUV 4:2:0

Maximum Output HDBaseT 4096×2160p@60 YUV 4:2:0

Power

Power Supply DC 48V/0.83A (Locking)

Power Consumption 10.6w

Enclosure

Chassis Material Metal (Alumium)

Chassis Color Black

Dimensions (W×H×D) 71mm×72mm×23mm [Case Only]
71mm×76mm×23mm [All Inclusive]

Weight 130g

ORDERING INFORMATION

Model No. Product Description

CH-POE PoE/PoH Power Injector

CH-2537TXWPUS UHD* HDMI/VGA over HDBaseT Wallplate Switcher with Signal Event Automation (1 Gang US)

CH-2538TXPLWPKD UHD* HDMI/VGA over HDBaseT Wallplate Switcher with PoH (PD) (2 Gang UK)