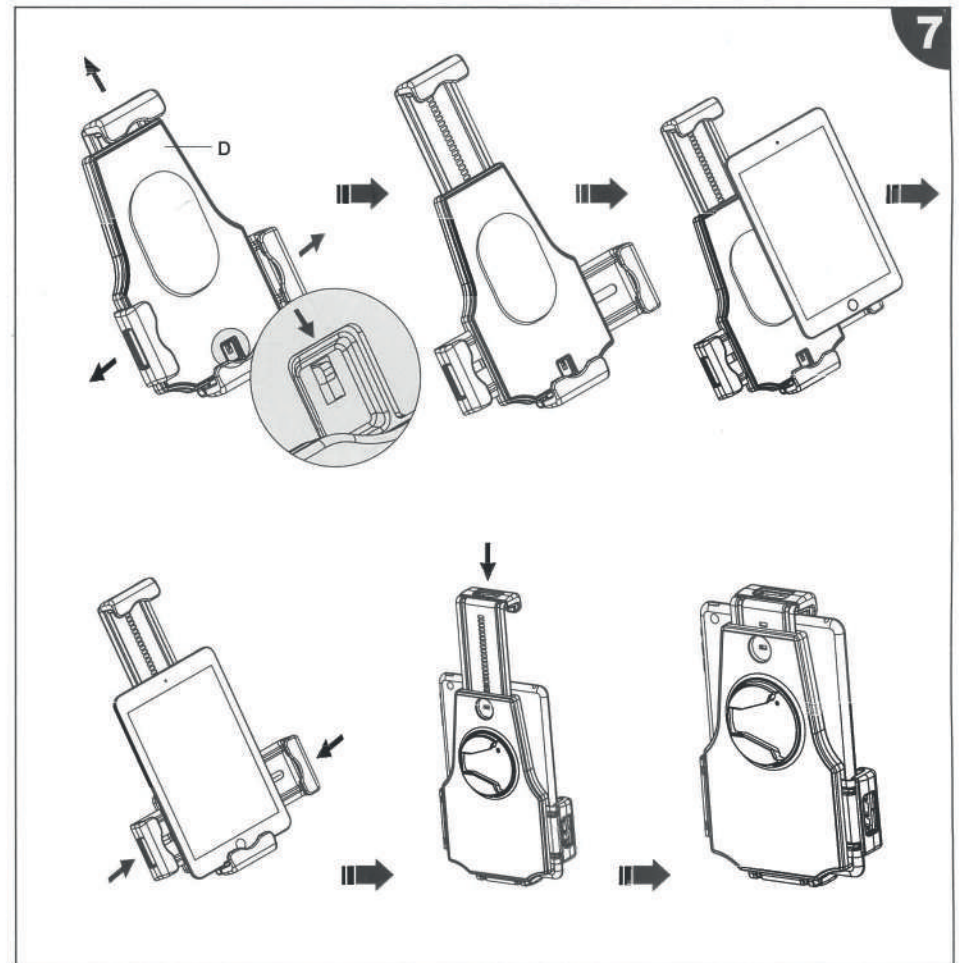
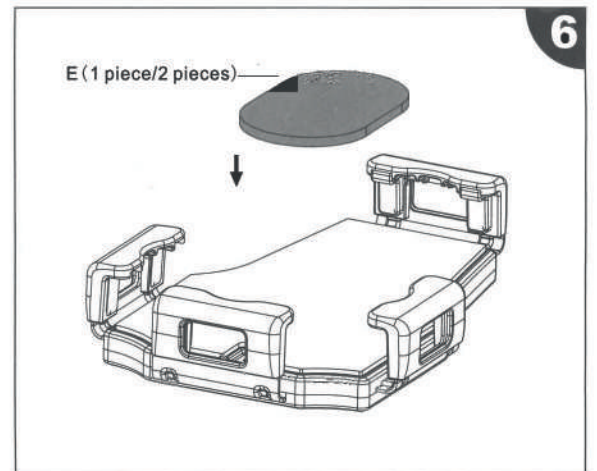
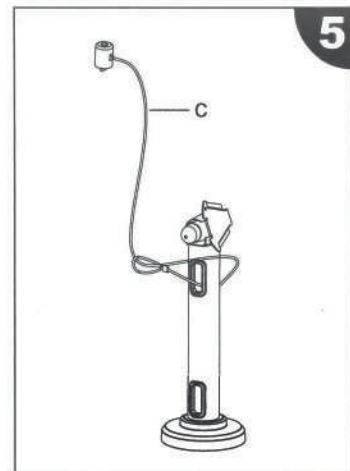
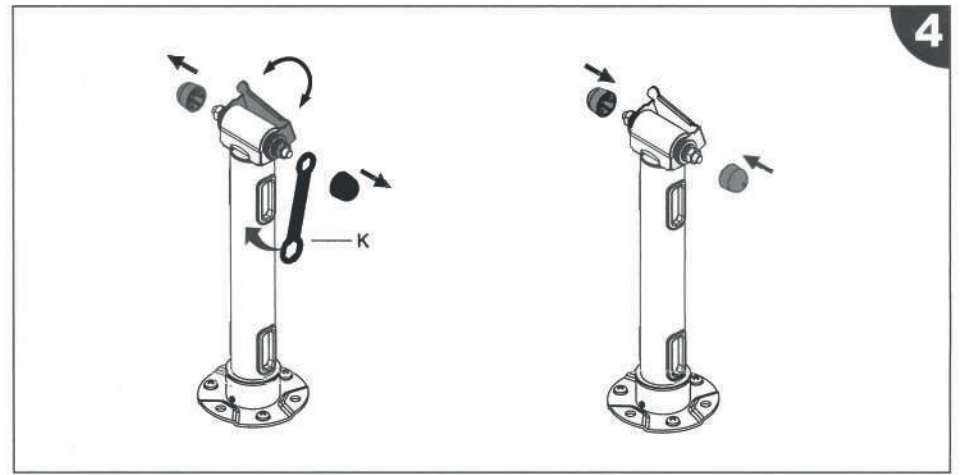
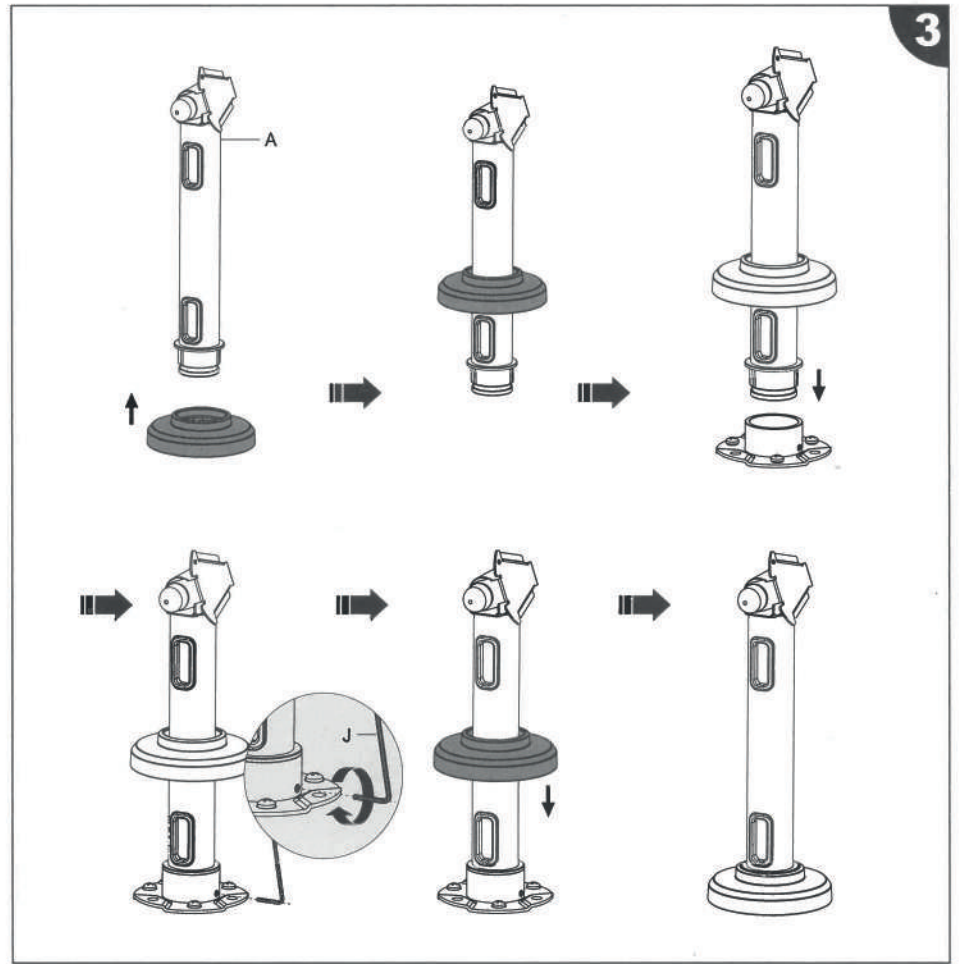
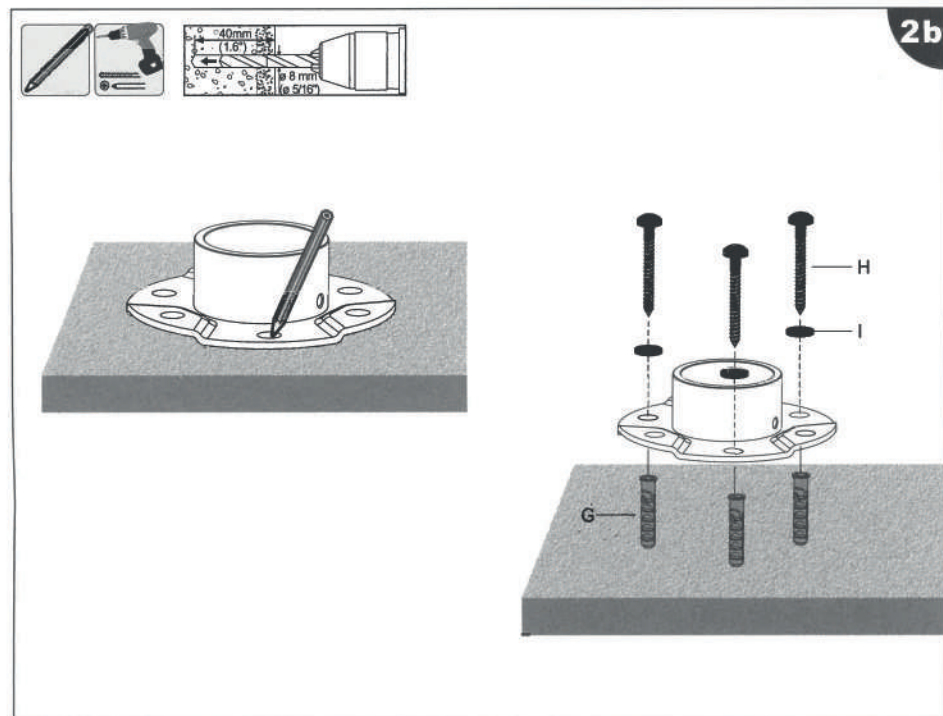
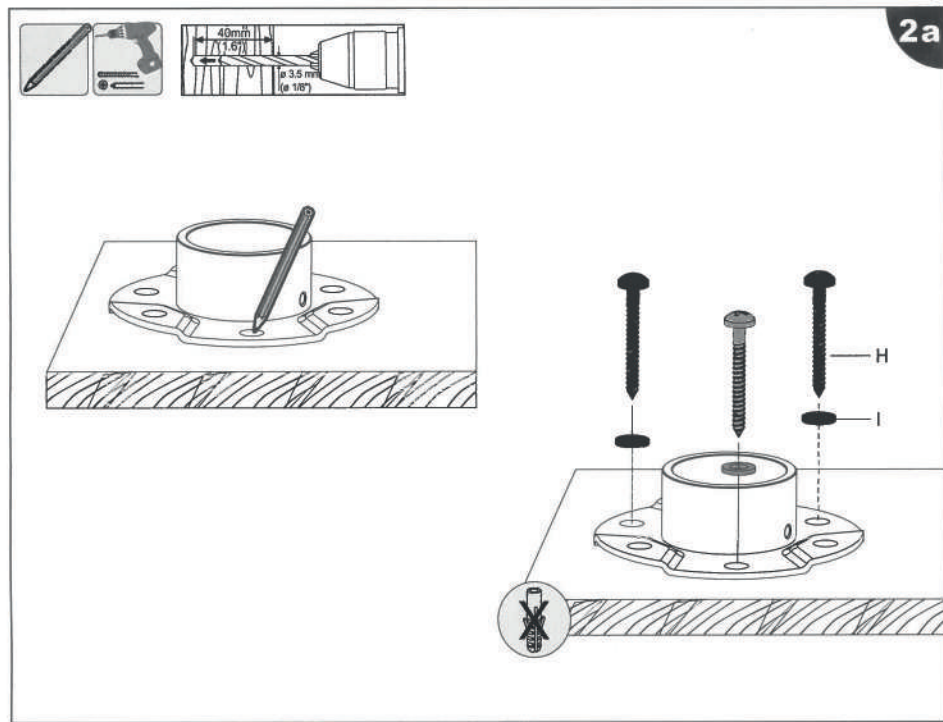
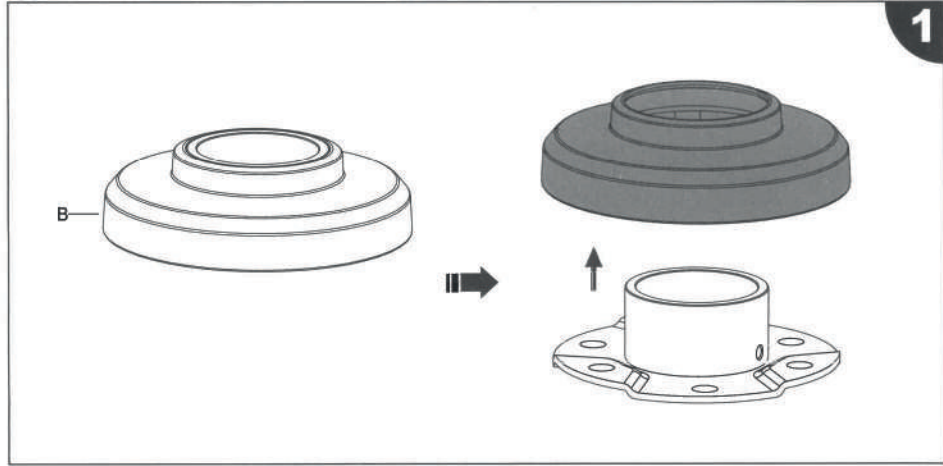
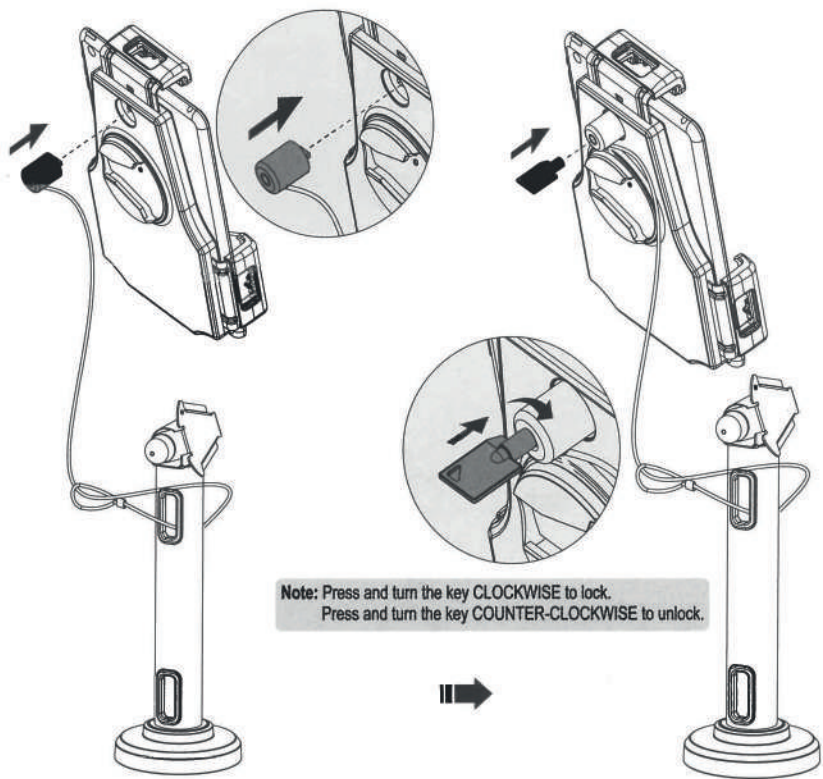
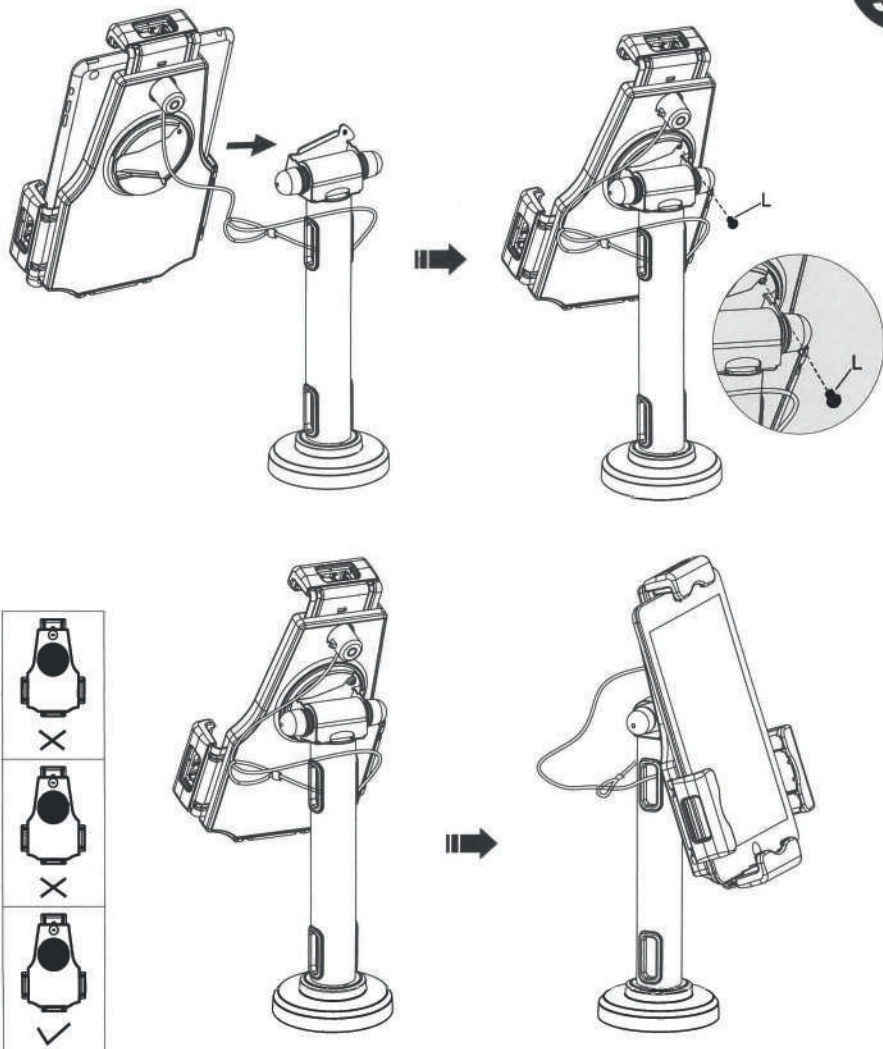
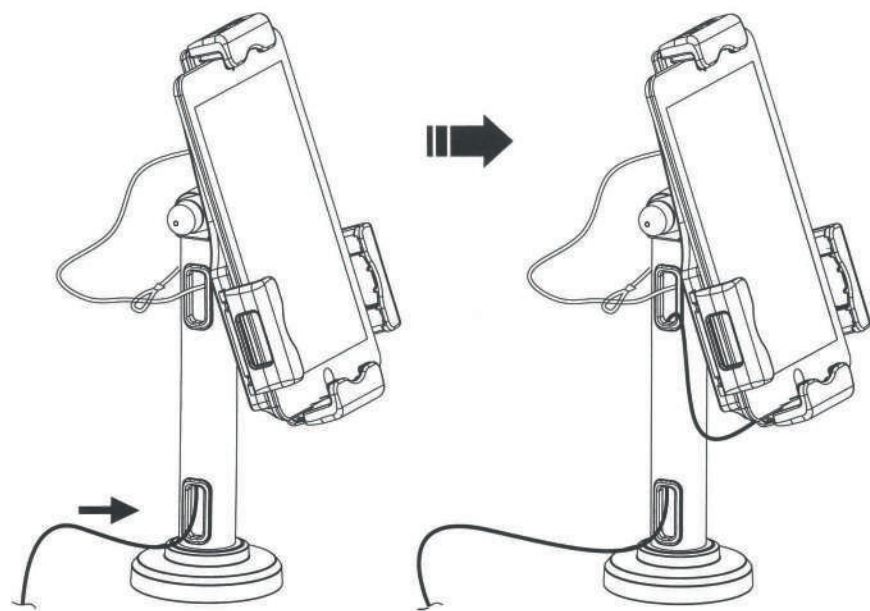
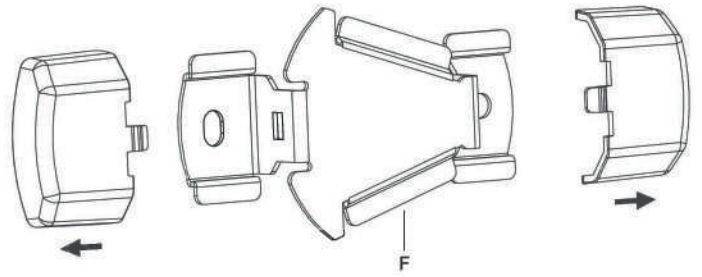
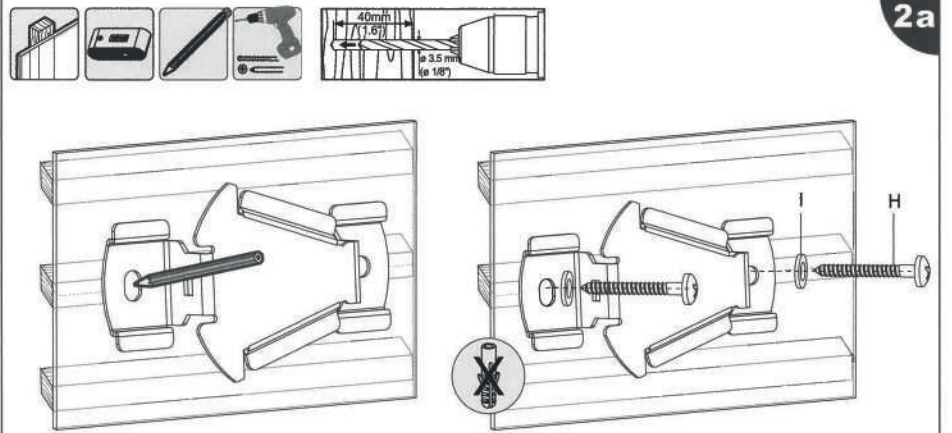
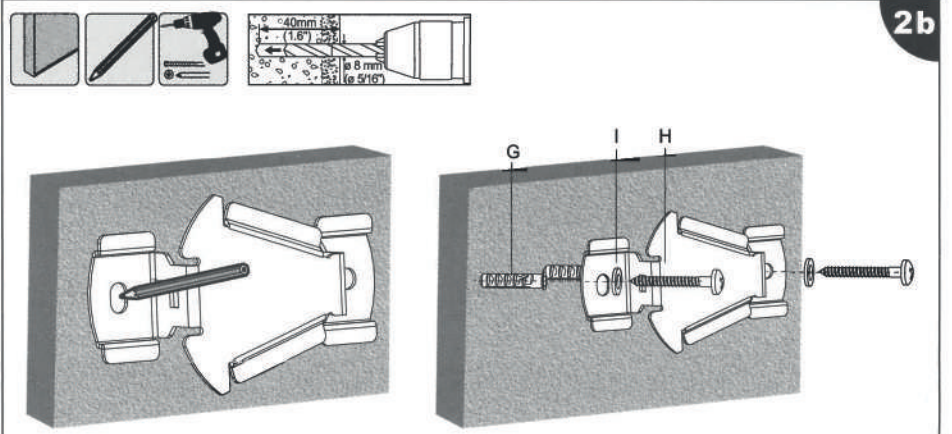
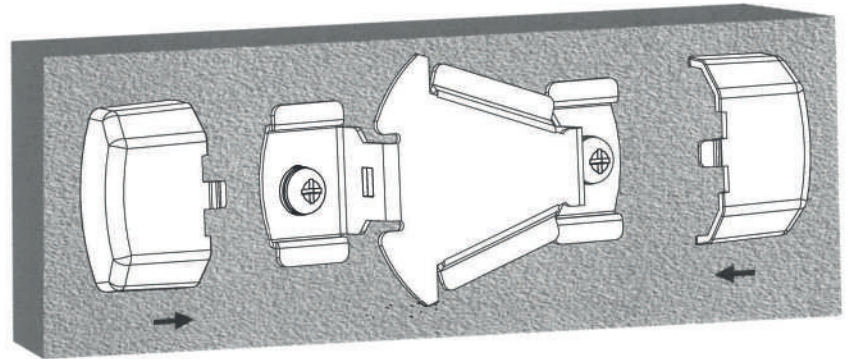


ITEM	DESCRIPTION/PART NO.	QUANTITY	ITEM	DESCRIPTION/PART NO.	QUANTITY
A	tube	1	F	wall plate	1
B	base	1	G	concrete anchor	5
C	lock component	1	H	screw	5
D	clamp holder	1	I	washer	5
E	EVA pad	2	J	Allen key	1
			K	wrench	1
			L	screw	1



A For the Desk Mounting



8**9****10****B For the Wall Mounting****1****2a****2b****3****4**