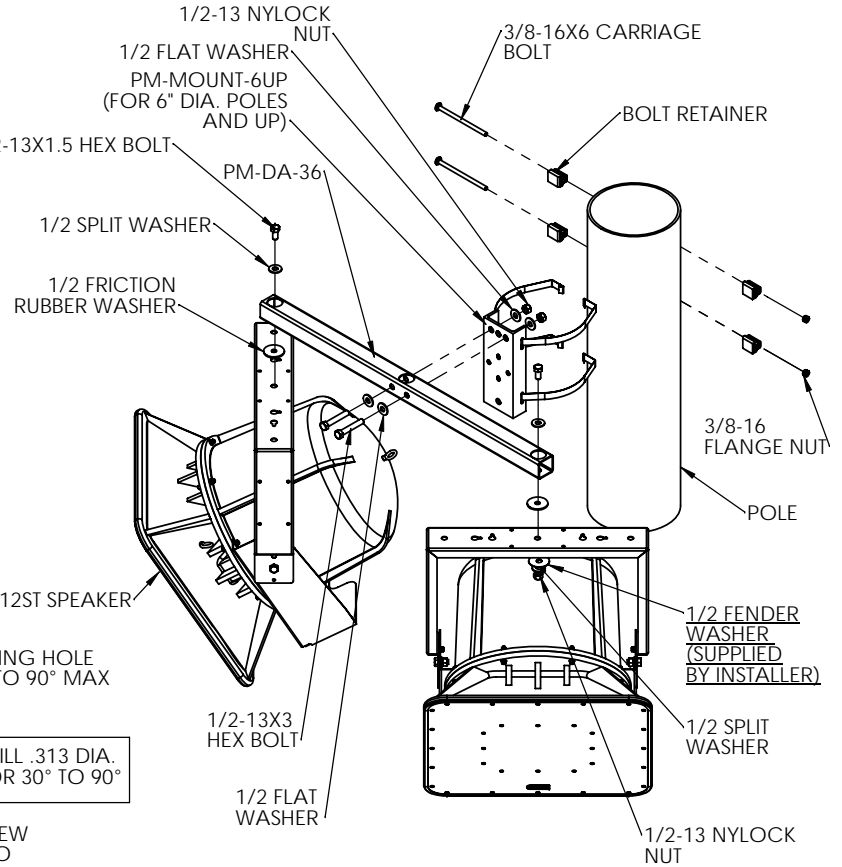
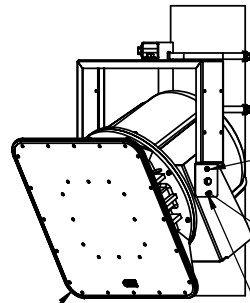
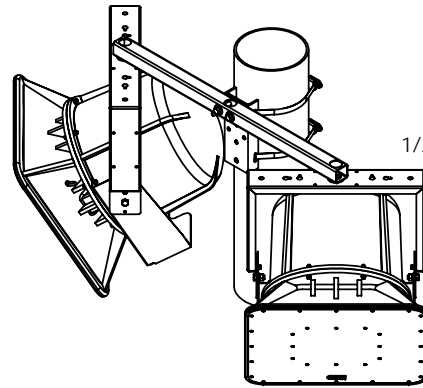
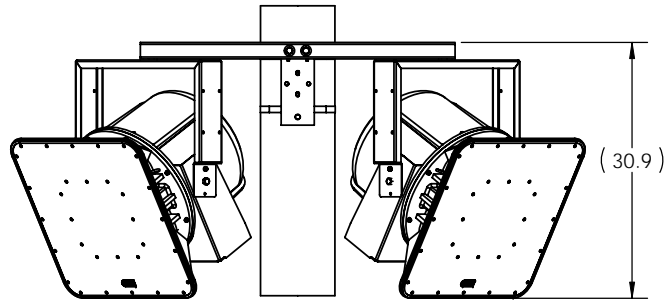
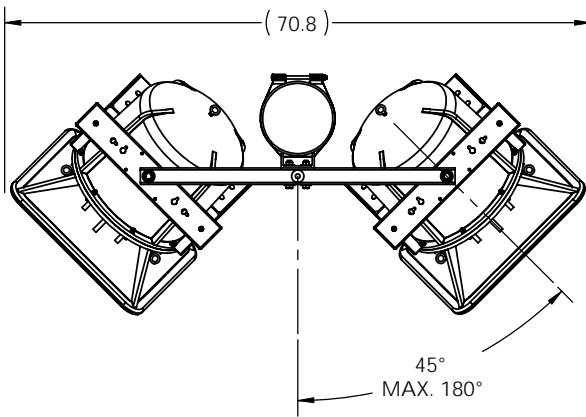


# ATLAS AH 12" FLIPPED SPEAKER VIEW



USE EXISTING HOLE FOR 30° TO 90° MAX

ADD/DRILL .313 DIA. HOLE FOR 30° TO 90°

INSERT SCREW AND NUT TO SECURE FIXED ANGLE

EQUIPMENT					
ITEM #:	MODEL #:	DESCRIPTION	QTY	WEIGHT (LBS)	ACCUMULATED WEIGHT
1	AH99-12ST	12" MODEL SPEAKER	2	87 LBS	174 LBS
2	PM-DA-36	36" DUAL ADAPTER	1	9.5 LBS	9.5 LBS
3	PM-MOUNT-6UP	POLE MOUNT FOR 6" AND LARGER DIAMETER POLES	1	5.0 LBS	5.0 LBS
4	PM-BAND-30	BANDING KIT FOR 9" DIA. DOWN TO 4" POLES	1	2.0 LBS	2.0 LBS
TOTAL WEIGHT					190.5 LBS

NOTE: MUST INSTALL WITH SAFETY CABEL  
APPLICATION DRAWING FEATURES THE AH99-12ST. MODELS AH66-12ST, AH94-12ST ALSO APPLY TO DESIGN

**PROPRIETARY AND CONFIDENTIAL**  
THIS DRAWING IS THE PROPERTY OF ALLEN PRODUCTS CO. AND EMBODIES A PROPRIETY DESIGN ORIGINATED BY ALLEN PRODUCTS CO. ALL DESIGN, MANUFACTURE, REPRODUCTION, USE AND SALE RIGHTS REGARDING THE SAME ARE EXPRESSLY RESERVED. THIS DRAWING MAY NOT BE REPRODUCED OR INFORMATION HEREIN TRANSMITTED IN ANY WAY WITHOUT WRITTEN CONSENT FROM ALLEN PRODUCTS CO. ALL PATENT RIGHTS HERETO ARE EXPRESSLY RESERVED BY ALLEN PRODUCTS CO. SIGNAL HILL, CALIFORNIA

UNLESS OTHERWISE SPECIFIED:  
DIMENSIONS ARE IN INCHES  
TOLERANCES:  
FRACTIONAL: ± 1/64  
ANGULAR: MACH ± .5°  
TWO PLACE DECIMAL: ± .03  
THREE PLACE DECIMAL: ± .01

INTERPRET GEOMETRIC TOLERANCING PER:  
MATERIAL:  
FINISH:  
DO NOT SCALE DRAWING

NAME	TL
DATE	102706
DRAWN	
CHECKED	
ENG APPR.	
MFG APPR.	
Q.A.	
COMMENTS:	

Allen Products Company inc.  
1635 E. Burnett Street  
Signal Hill, CA 90755  
Tel: 562-424-1100 Fax: 562-424-3520

TITLE: **DOUBLE MODEL**  
**POLESTAR AH12 DOUBLE APP**

NEXT ASSY:  
USED ON:  
SIZE **B** DWG. NO. AH99-12ST DOUBLE MODEL REV 03  
SCALE: 1:15 WEIGHT: SHEET 1 OF 1