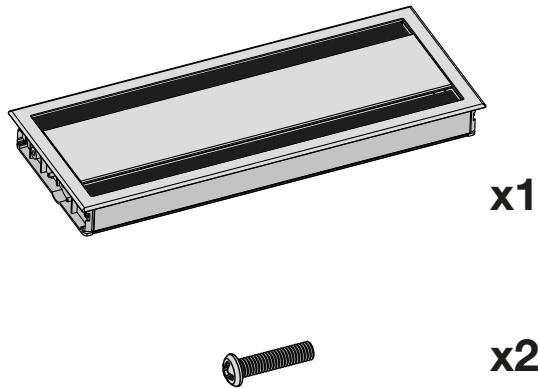


# Axessline Duo 30

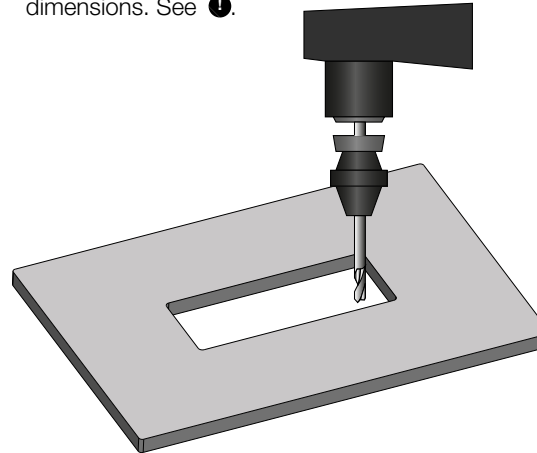
935-TC30  
 935-TC30W  
 935-TC30B



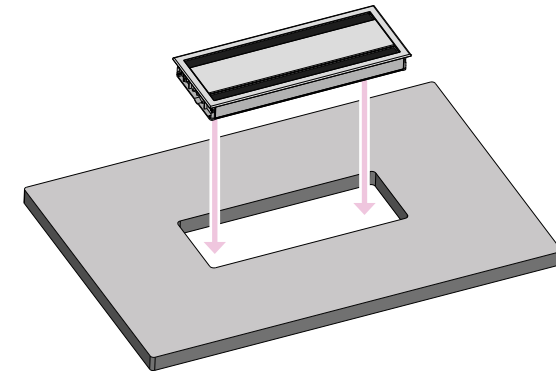
## CONTENT:



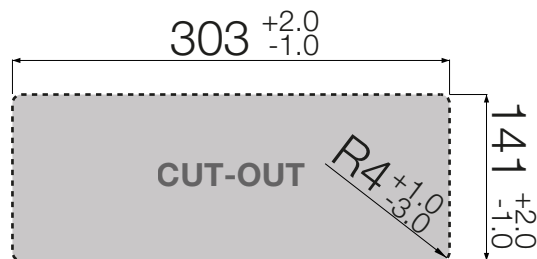
- 1** MILL  
Mill a hole in the table according to the correct dimensions. See **!**



- 2** INSERT  
Insert Axessline Duo into the milled hole. It must be inserted vertically into the hole.



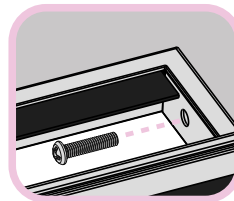
- !** HOLE CUT-OUT DIMENSION



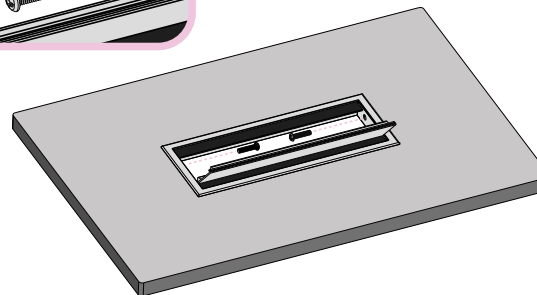
All measurements in millimeters.

- !!** FOR FLUSH-MOUNT  
Check against each specific sample for each respective individual installation. Milling for flush-mount is at your own risk and responsibility.

- 3** FIXATE SCREWS  
Open the lid and use the two included screws to carefully fixate the product to the table.



Once the screw touches the edge, begin fastening the second screw until it touches the other edge. **Don't fasten it further than that.**



- 4** READY TO BE USED  
Once all steps are completed, the product should be ready to be used. Be sure to pair with the right accessories. Visit our website to find all possible accessories.

