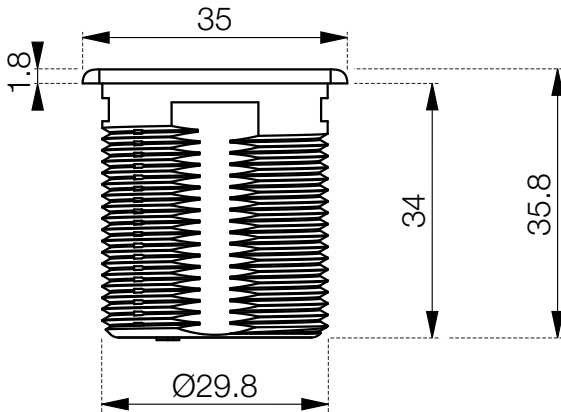




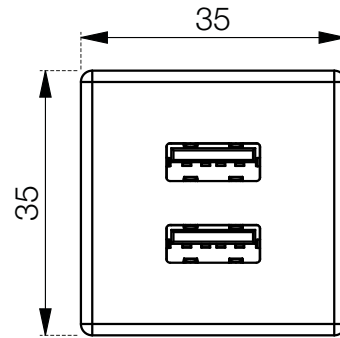
- 935-PM31S
 935-PM31G
- 935-PM31WM
 935-PM31C
- 935-PM31BM
 935-PM31M

Powerdot MICRO - 2 USB Charger ports (5V, 2A)

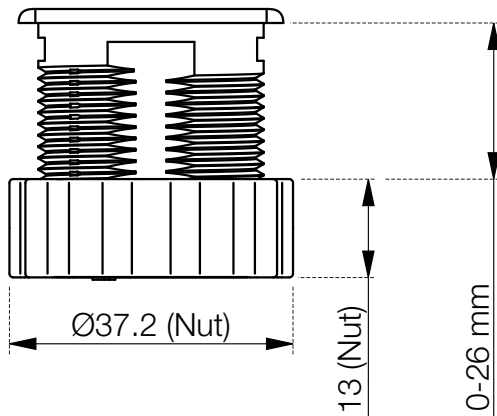
Front view (Grommet)



Top view (Grommet)



Front view (Grommet & nut)



Maximum table thickness:
Recommended hole cut:

26 mm
Ø30 mm