

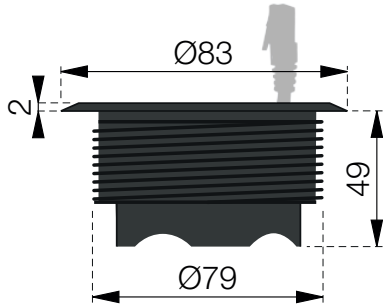


□ 935-PD10W

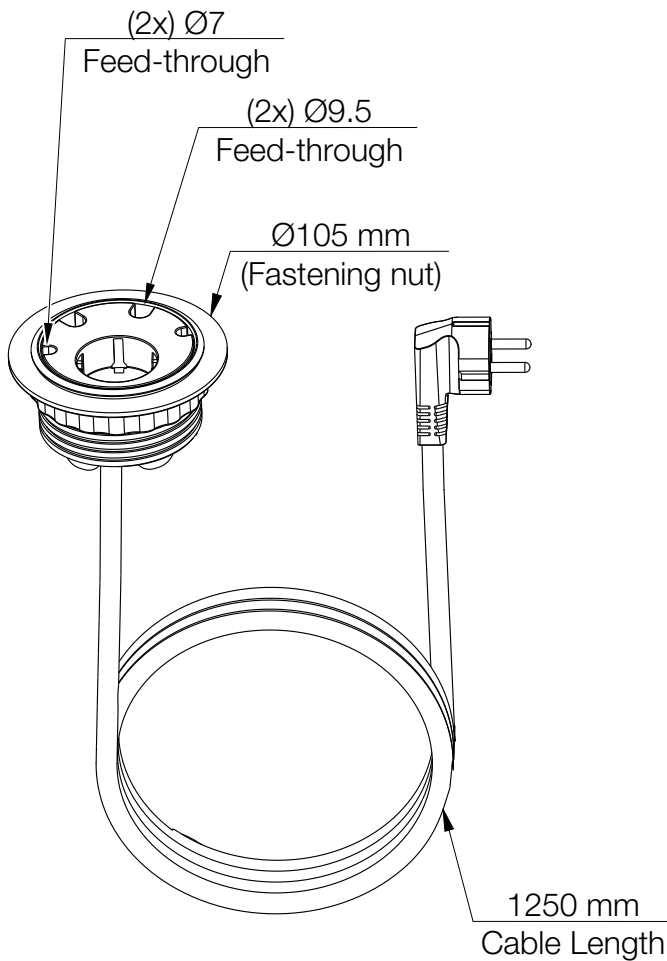
■ 935-PD10

Powerdot 1 Power, 4 Feed-throughs (2x Ø7 & 2x Ø9.5)

Front view (Grommet)



Oriented view (Grommet, nut & cable)



Maximum table thickness: 30 mm
Recommended hole cut: Ø79 mm