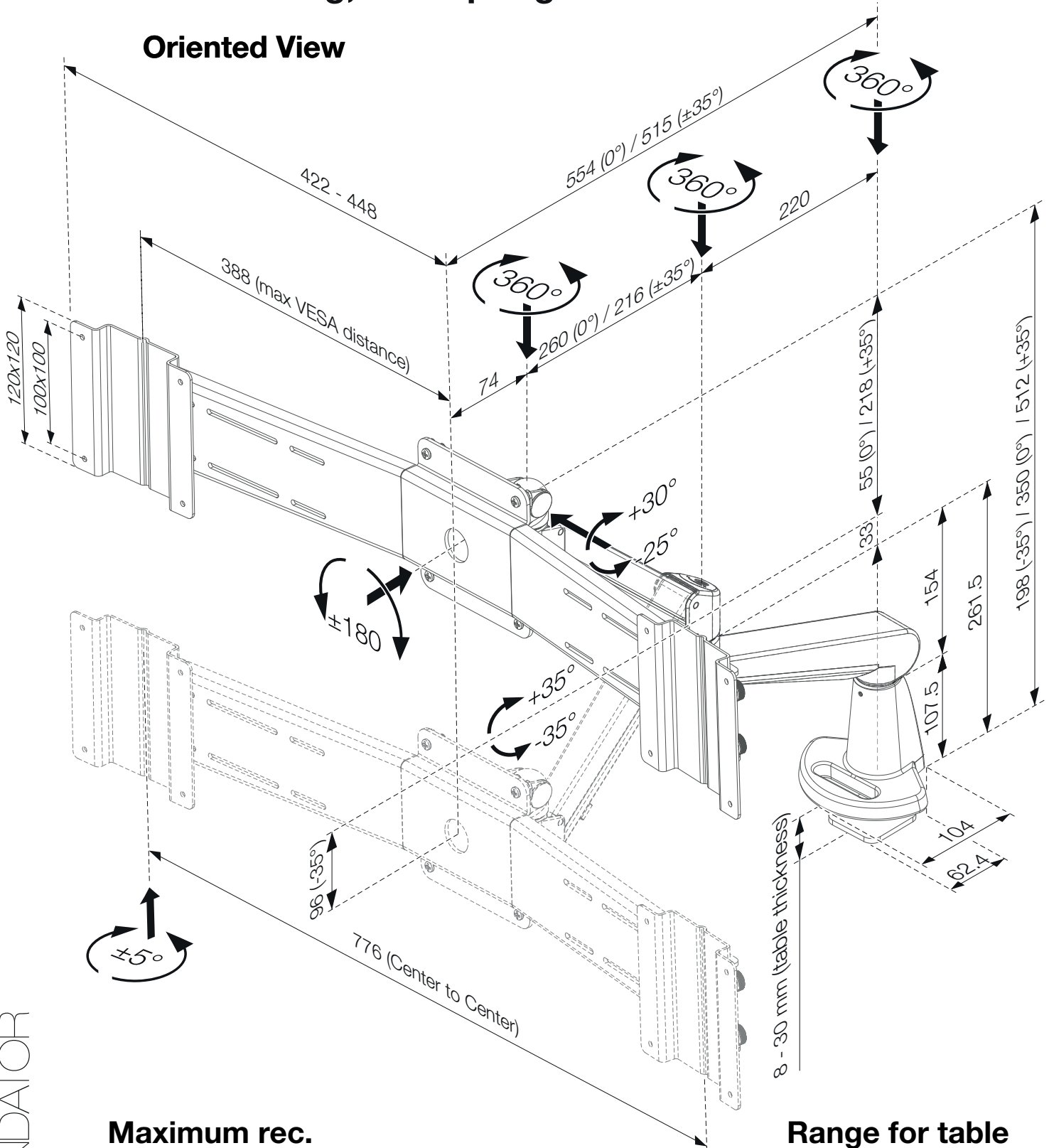




- 438-LC58
- 438-LC58W
- 438-LC58B

# Monitor arm STOCKHOLM Duo 2 x 6kg, Gas Spring

## Oriented View



**Maximum rec.  
monitor width**  
• (2x) 768 mm

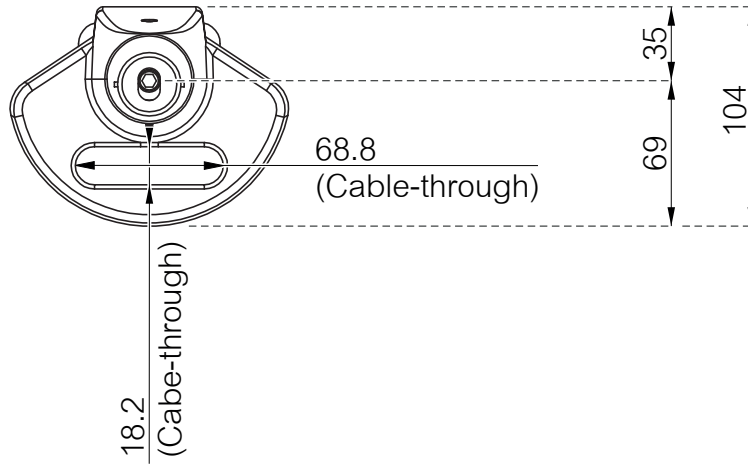
**Range for table  
thickness**  
• 8 - 30 mm  
(slim clamp)



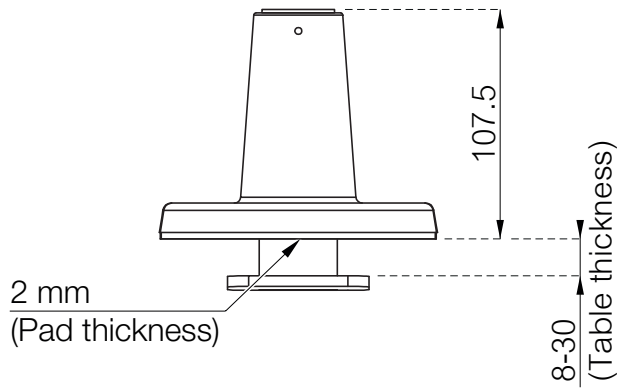
- 438-LC58
- 438-LC58W
- 438-LC58B

## Monitor arm STOCKHOLM Duo 2 x 6kg, Gas Spring

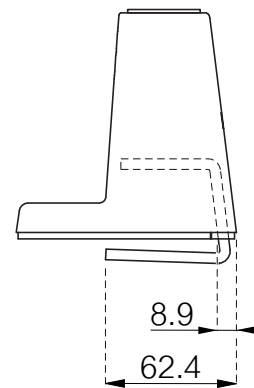
### Oriented View



### Front view



### Side view



### Bottom view

