

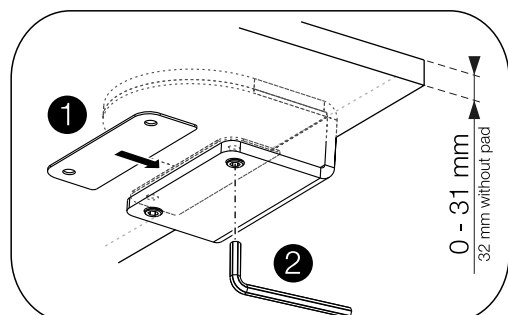
Monitor Arm OSLO - System 2

In order to achieve a correct mounting of this product, you are advised to read and follow the instructions step by step. If there are incomprehensible steps, please let us know and we will get back to you. **Note! All necessary parts are found in 2 separate boxes (see last page).**

Part Check-List

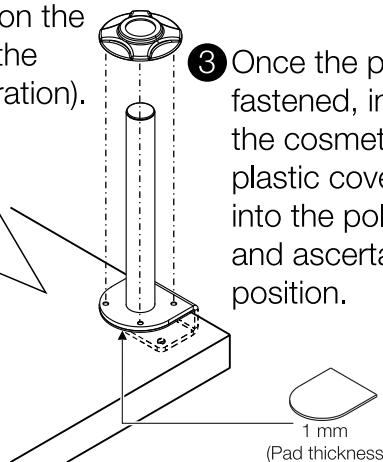
| | | | | | |
|----|--|-------|---|--|-------|
| ① | | x1 | ⑥ | | x1 |
| ②A | | x2 | ⑦ | | x1 |
| ②B | | x2 | ⑧ | | x1 |
| ③ | | x1 | ⑨ | | x1+x1 |
| ④ | | x1+x1 | ⑩ | | x1 |
| ⑤ | | x1 | ⑪ | | x4+x4 |
| | | | ⑫ | | x2 |

1 Position and mount the clamp ① to the table. For tables thinner than 21 mm, use screws ②A. Position the metal sheet ③ and fasten it using the screws and Allen key ④ (See illustration).



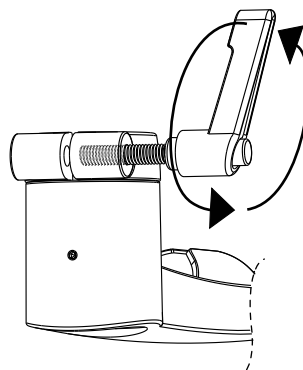
NOTE! For tables thicker than 21 mm, use screws ②B.

3 Once the pole is fastened, insert the cosmetic plastic cover ⑤ into the pole and ascertain its position.

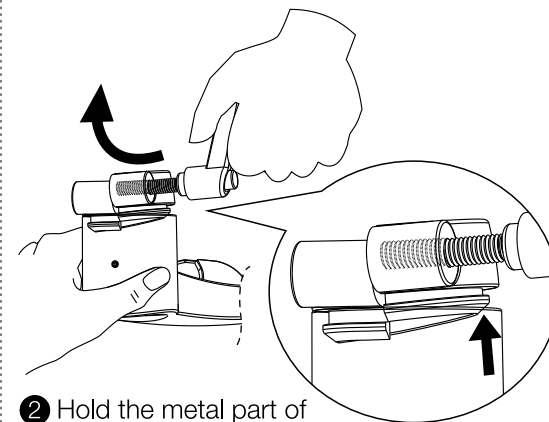


www.kondator.se

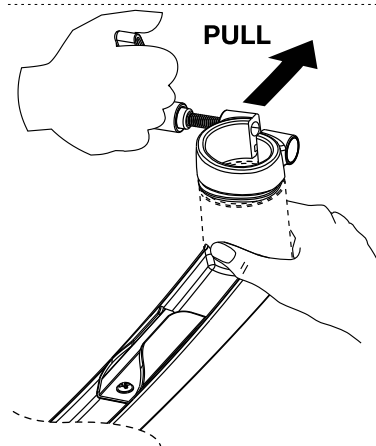
2 The purpose of this step is to prepare the additional arm ⑥. The preparation is done by removing the black plastic clamp from the arm, as well as the black bushing. Please examine steps ① to ④ seen below before proceeding. It will facilitate the removal process.



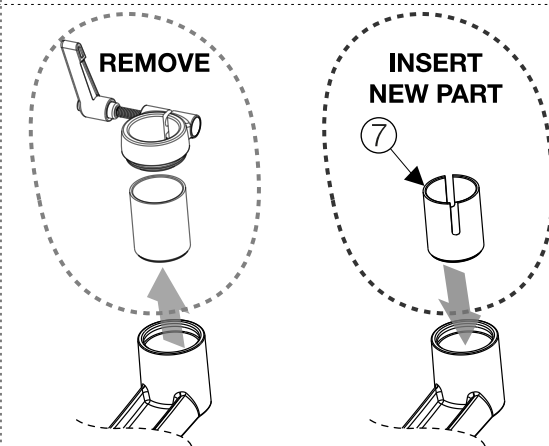
1 Unscrew and position the handle bolt so that the bolt only has contact with one half of the plastic clamp.



2 Hold the metal part of the arm with a firm grip. Use leverage to bend the lever upwards with as much force as possible. The bottom of the clamp will surface as seen in the zoomed-in illustration.

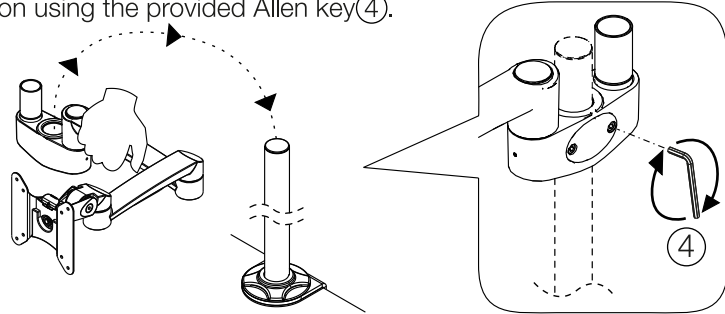


3 As the bottom part of the black plastic surfaces; pull lever outwards until the clamp is completely loose.

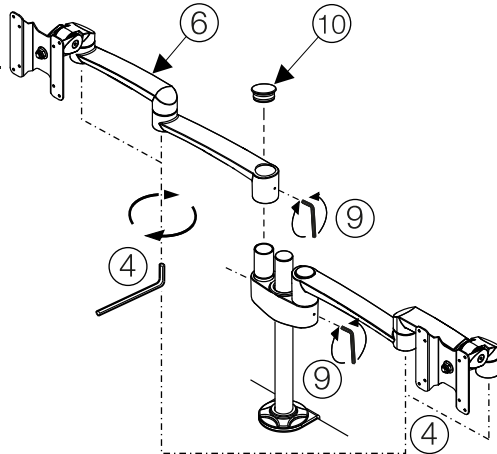


4 Remove the black plastic clamp and replace the old bushing with the one provided in the carton box ⑦.

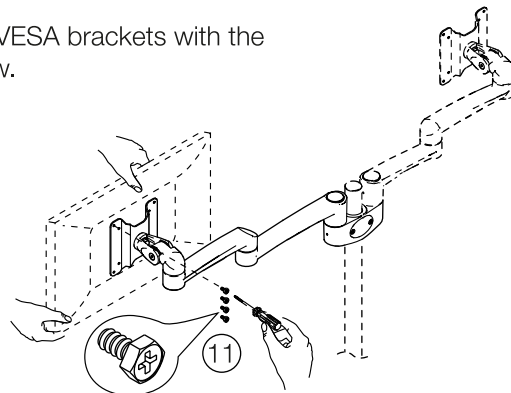
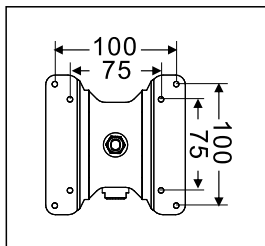
- 3** Insert the twin monitor bracket (8) into the pole. Adjust to desired height and fix its position using the provided Allen key (4).



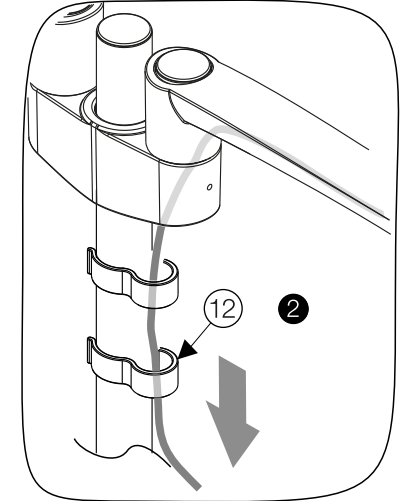
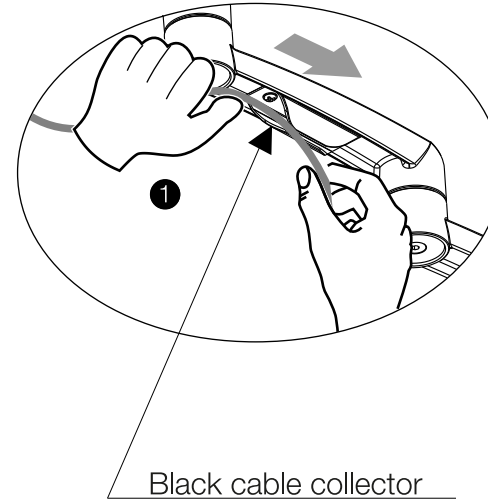
- 4** Insert the prepared monitor arm (6) from step 2. Then, attach the plastic cover (10) to cover the cavity. Once all pieces are set in place, tighten all four small screws using the small Allen key (9). To make all joints and arms completely rigid, use Allen key (4).



- 5** Mount both LCD monitors to the VESA brackets with the provided screws (11) as seen below.



- 6** Finish installation by directing the cables from the LCD monitors through both black cable collectors. Lastly, direct the cable further down the pole and attach all cable clips (12) to keep them in place. See illustrations below.



SYSTEM OVERVIEW

| Finished product | Following products are needed for the finished product | |
|------------------|--|--|
| 438-LC27 | 1 x 438-LC15 1 x 438-LB27 | Monitor arm OSLO, Silver Extra monitor arm OSLO, Silver |
| 438-LC27W | 1 x 438-LC15W 1 x 438-LB27W | Monitor arm OSLO, White Extra monitor arm OSLO, White |