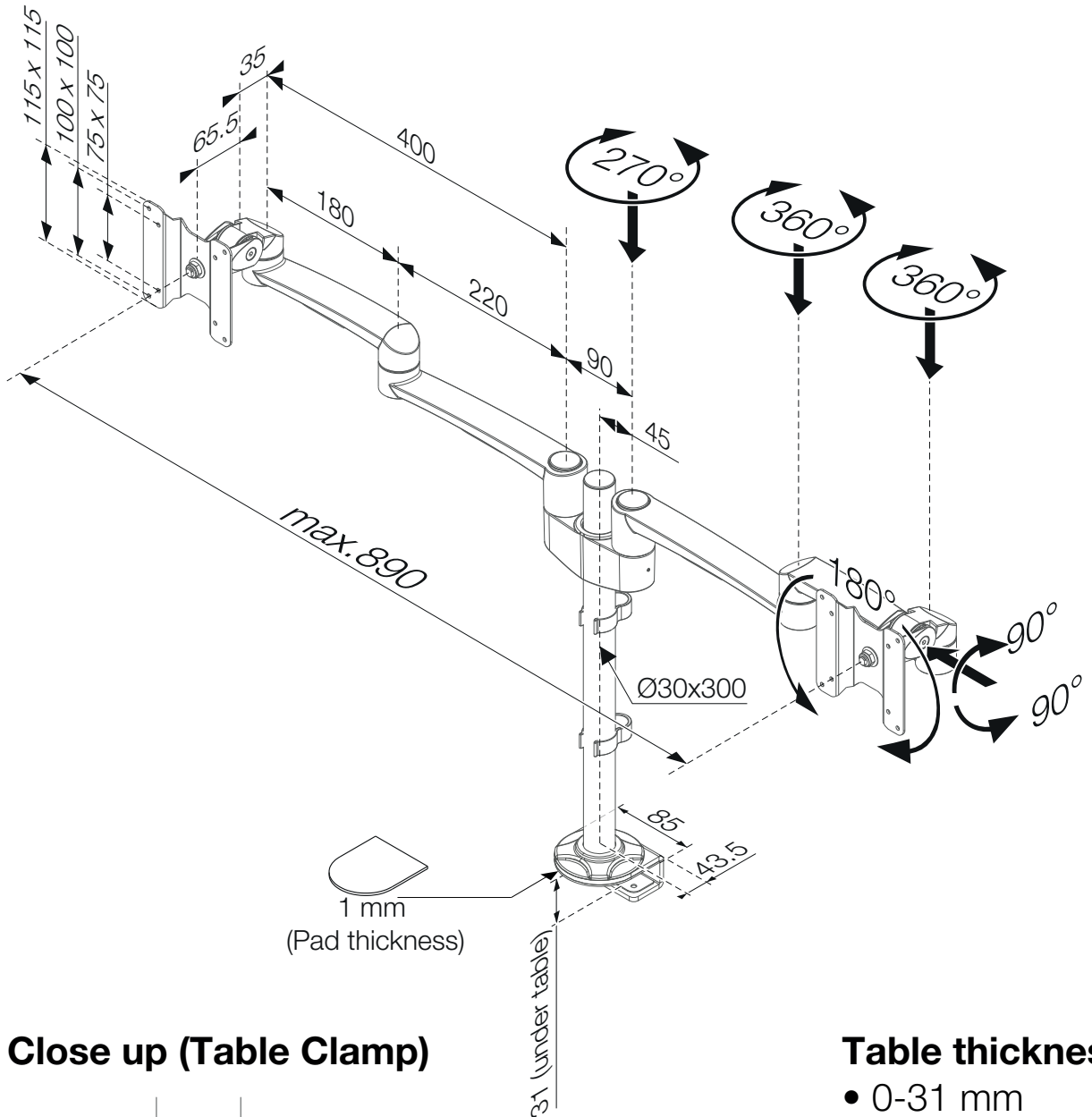




- 438-LC27
- 438-LC27W

Monitor Arm Oslo - System 2

Oriented View



Close up (Table Clamp)

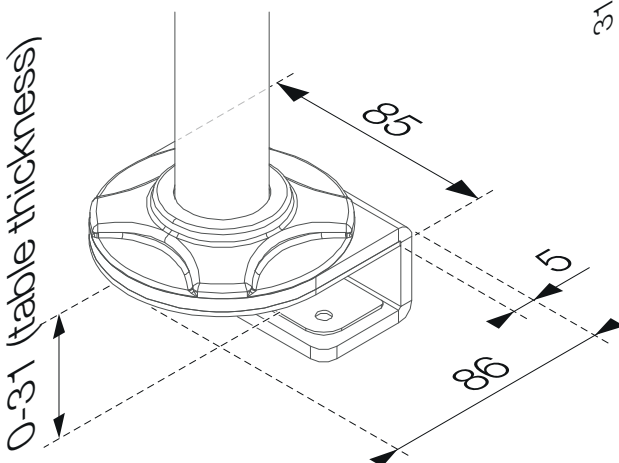


Table thickness
• 0-31 mm