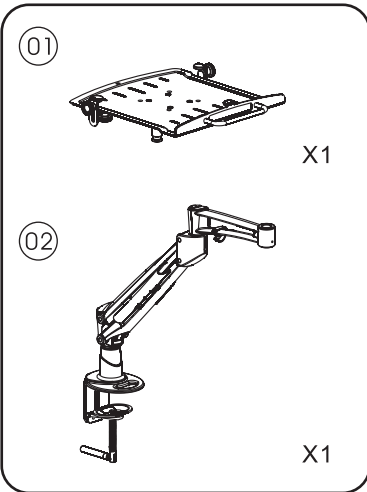


Assembly Guide

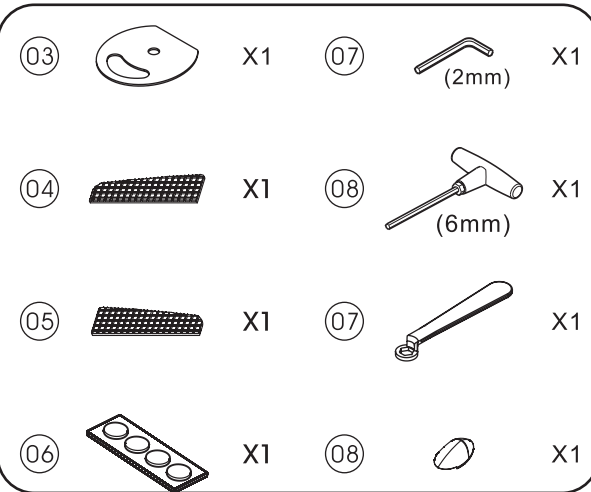
01

To mount your flat panel monitor or any parts at an ergonomically correct position, start at step 1 and continue as directed.

Part Check-List

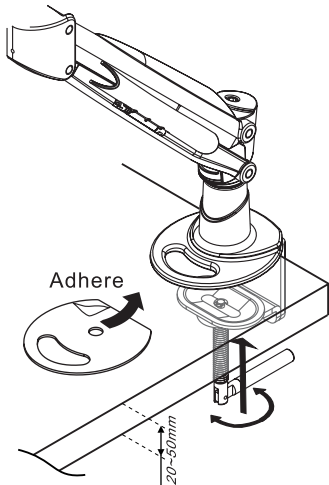


Fitting / Tools Check-List



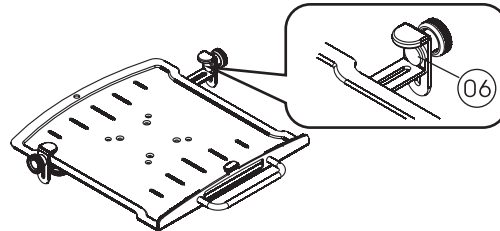
Step 1

Adhere the pad to the clamp base. Desk thickness from 20mm~50mm. Then fix the clamp on the desk.

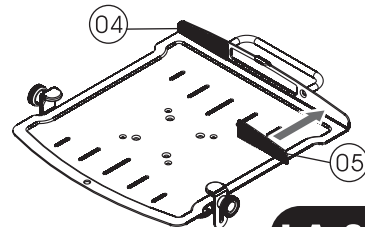


Step 2

To paste the round shape pad on both adjust clamp.



To paste the swath pad on the bottom of the Notebook tray.

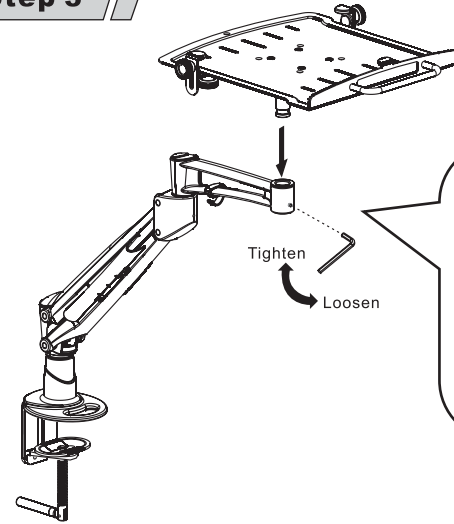


LA-911N

Assembly Guide

02

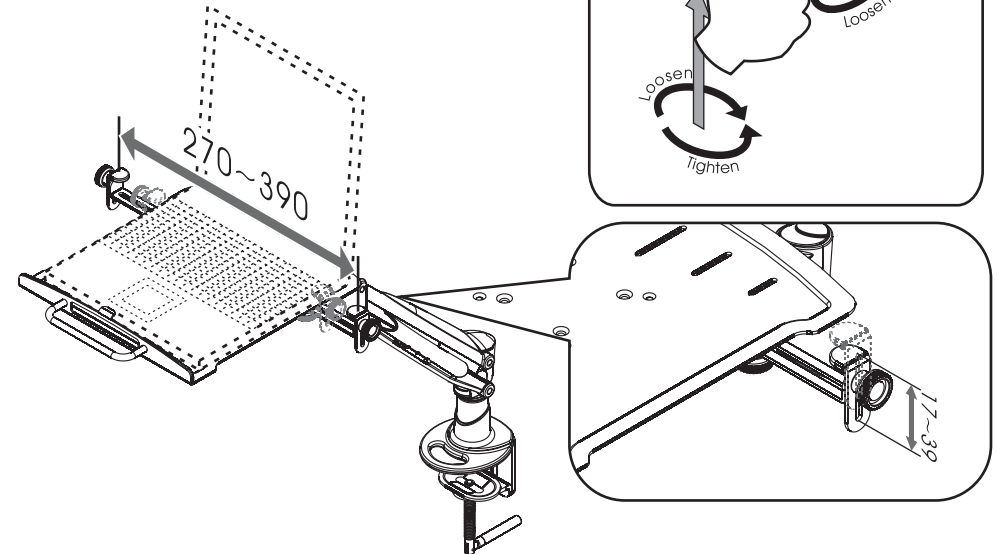
Step 3



Use 2mm allen key to secure the Notebook tray and the arm with the screw to the bottom, and then move backward 1 circle.

Step 4

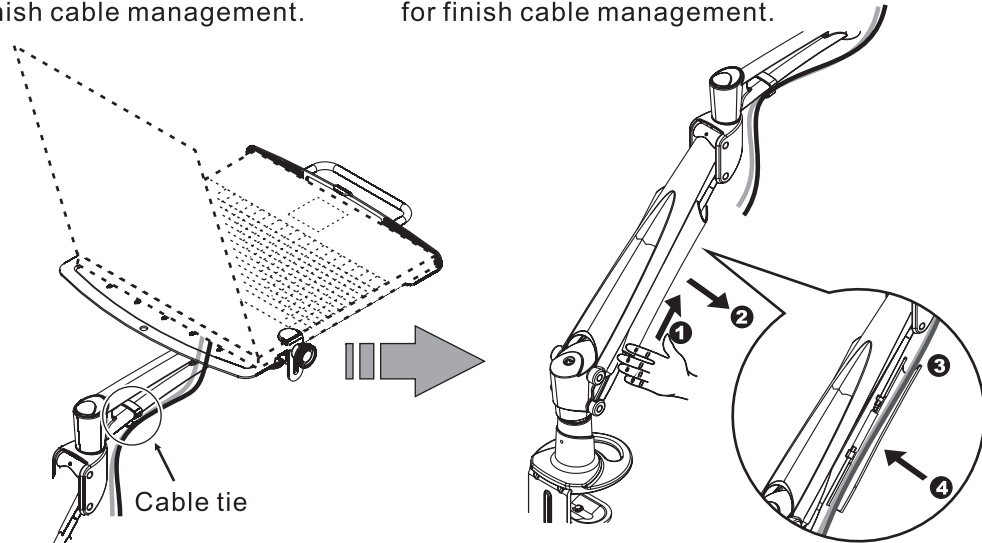
●Use the knob to adjust the clamp for suitable wide range notebook size.



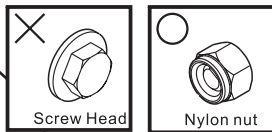
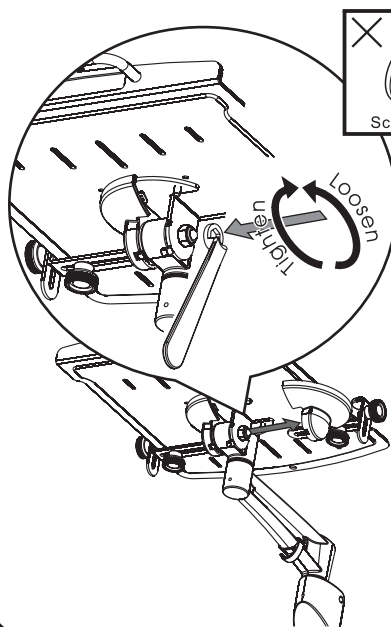
Step 5

(1) Use cable tie supplied to finish cable management.

(2) Move the cable cover up then to open it for finish cable management.



When assembling the arm with Notebook of differing weights, you may find that the tension of the universal joint needs to be adjusted to ease movement or to maintain the desired monitor position. If so, adjust as follows:



- Remove the plastic universal joint cover.
 - Find the nylon nut (not the screw head) and use the included wrench to adjust the tension.
 - Clockwise : more tension
 - Counterclockwise : less tension
 - Use one hand to support the monitor and adjust the tension of the universal joint.
 - When the desired tension is achieved, replace the plastic cover.
- Caution:**
- Support the Notebook during the adjustment procedure.
 - Only adjust the nylon nut (not the screw head).
 - Do not disassemble the universal joint .

Adjustment For Loading

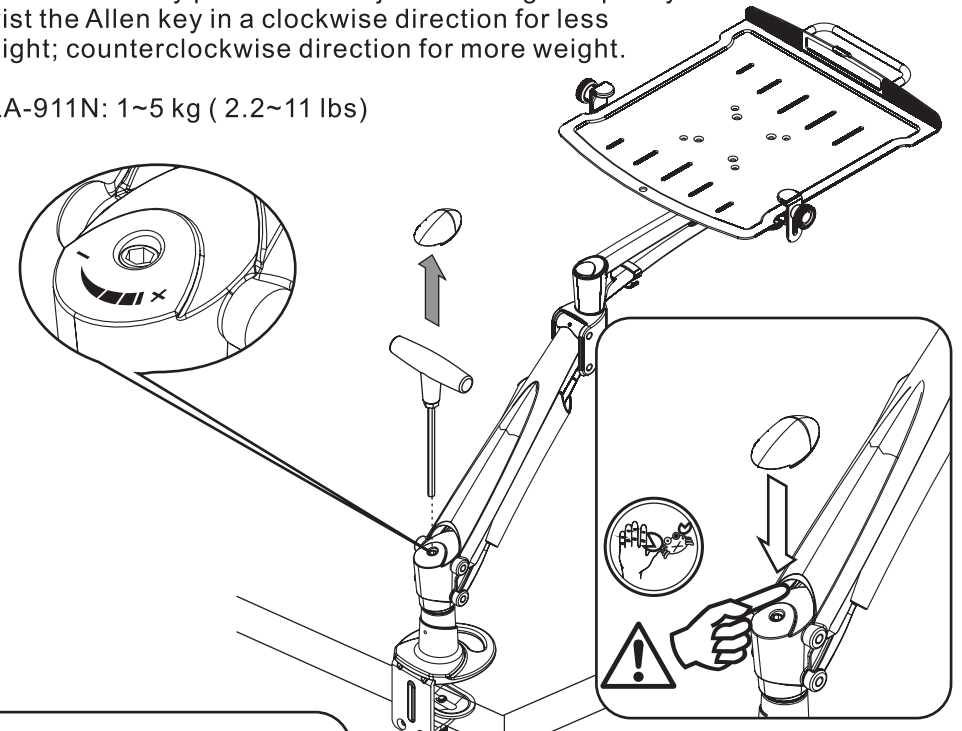
Caution for weight capacity adjustment:

1. Make sure of the Note book weight.
2. Support arm with a hand during assembly.

Adjustment:

Use the Allen key provided to adjust the weight capacity. Twist the Allen key in a clockwise direction for less weight; counterclockwise direction for more weight.

- LA-911N: 1~5 kg (2.2~11 lbs)



- The hole will apply a locks notebook computer to prevent theft and protect data.

