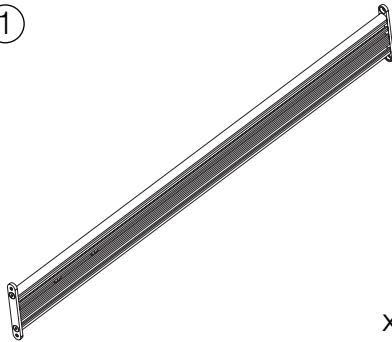






Part Check-List

<p>①  x1</p>	<p>②  x8</p> <p>③  (4 mm) x1</p> <p>④  x2 + x4</p> <p>⑤  x4</p>
---	---

