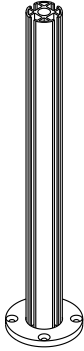




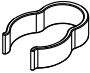
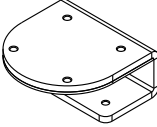
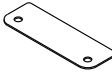



Part Check-List

①		x2
②		x8
③	 (4 mm)	x1
④		x2
⑤		x2
⑥		x4
⑦		x2
⑧		x2
⑨		x4

