

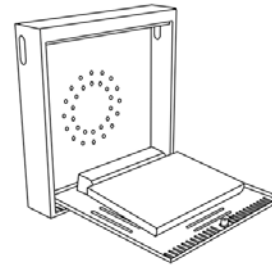
**by Kondator**  
www.kondator.se

# Safety Verticalbox

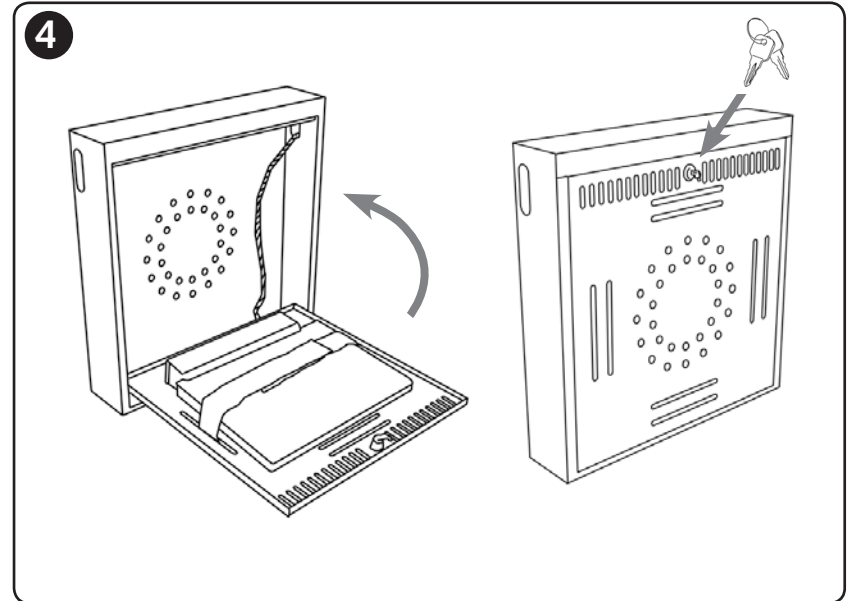
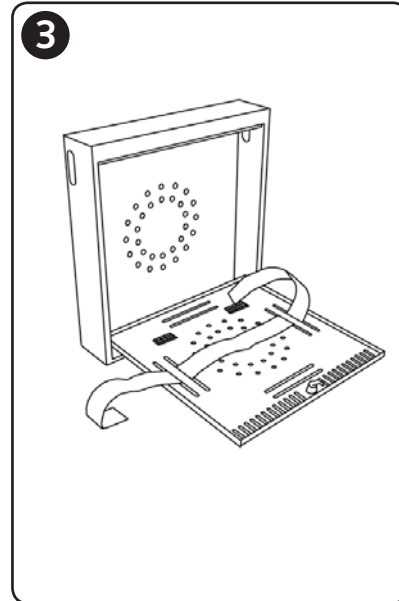
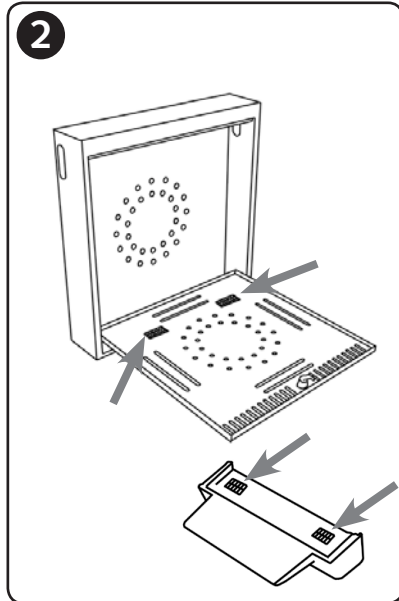
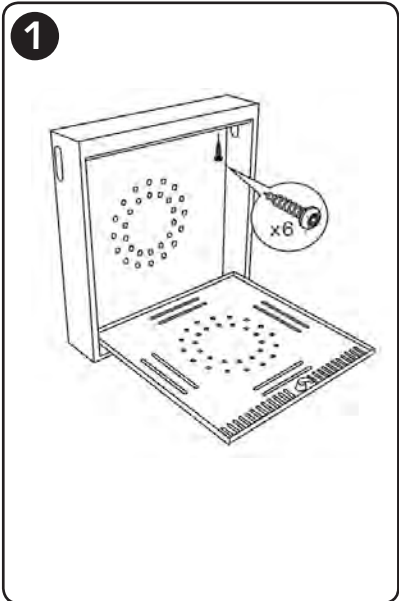
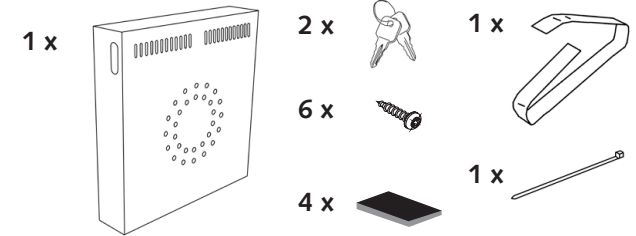
Part no 428-LU50

## Optional assembly

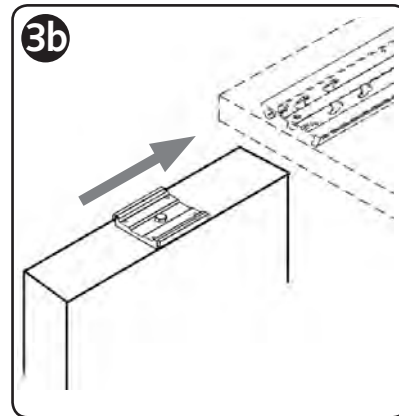
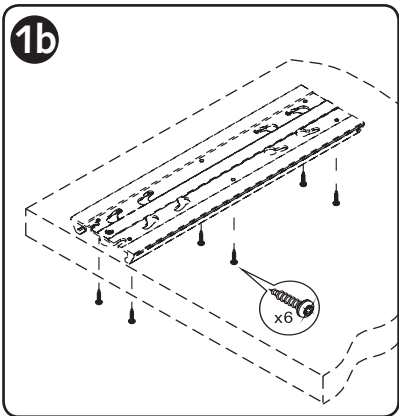
427-WA10 LiftSystem Sleigh  
 430-WA13 LiftSystem Track, 300 mm  
 430-WA11 LiftSystem Track, 400 mm  
 430-WA16 LiftSystem Track, 600 mm



## Package contains:



## Optional assembly



## IMPORTANT Usage

